

SPECIFICATION

Current Rate: 16 AMP
Voltage Rate: 60 V DC Max.
Contact Resistance: 5 mΩ Max.
Operation Temperature: -25 °C to +85 °C

MATERIAL

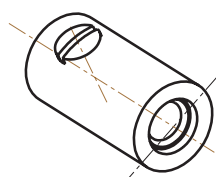
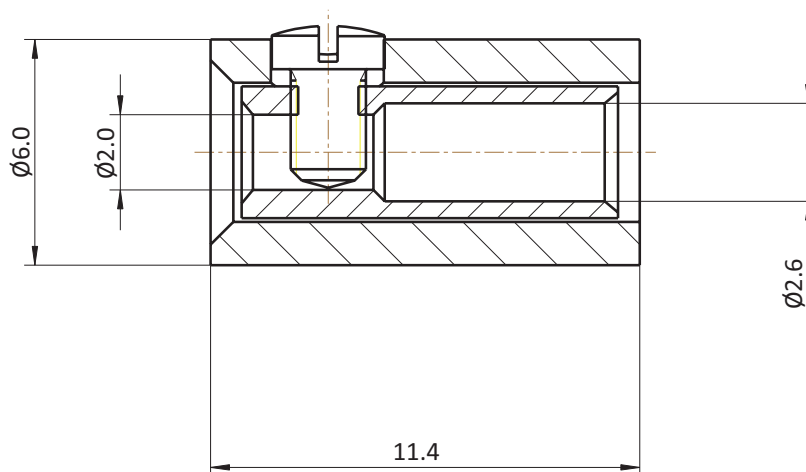
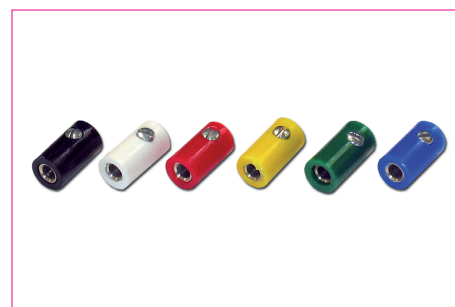
Housing: PS
Contact: CuZn39Pb3-F51
Screw: CuZn39Pb3-F51

FINISH

Contact: Glossy nickel plated 3-5 μm
Screw: Glossy nickel plated 3-5 μm

HANDLING

Processing: Screw connection
Packing: Bulk



Order Information

Series

HOK

Housing Colour

#

HO Jack 2.6 mm

* = Standard

- SW : Black RAL 9005 *
- RT : Red RAL 3003 *
- BL : Blue RAL 5017 *
- GE : Yellow RAL 1021 *
- GN : Green RAL 6029 *
- WS : White RAL 9010 *
- GR : Grey RAL 7040 *
- BR : Brown RAL 8024 *
- OR : Orange RAL 2011