

SPECIFICATION

Current Rate: 16 AMP
Voltage Rate: 60 V DC Max.
Contact Resistance: 5 mΩ Max.
Operation Temperature: -25 °C to +85 °C

MATERIAL

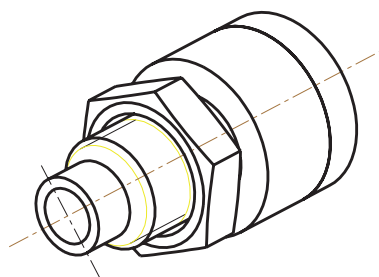
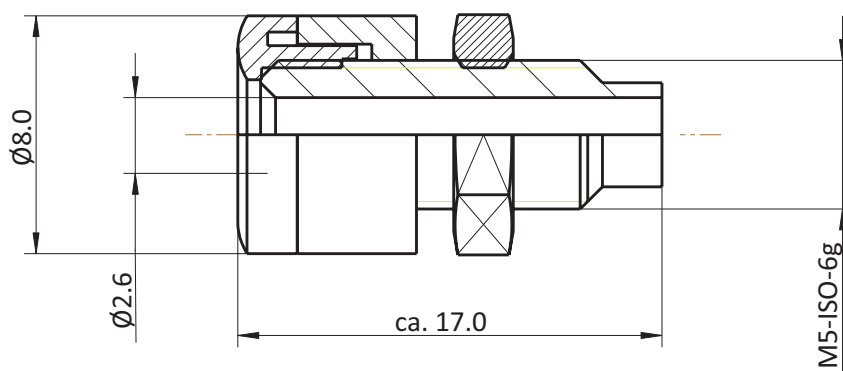
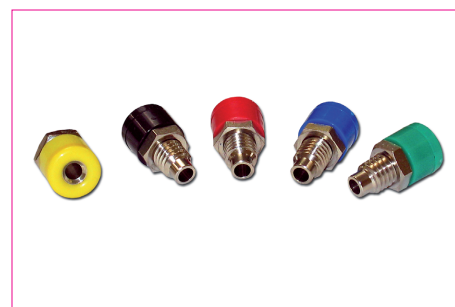
Housing: ABS
Contact: CuZn38Pb1.5-F41
Screw: CuZn39Pb3-F51

FINISH

Contact: Glossy nickel plated 3-5 μm
Screw: Glossy nickel plated 3-5 μm

HANDLING

Processing: Hand soldering
Packing: Bulk



Order Information

Series

HOB

Housing Colour

#

HO Socket 2.6 mm

* = Standard

SW : Black RAL 9005 *

RT : Red RAL 3003 *

BL : Blue RAL 5017 *

GE : Yellow RAL 1021 *

GN : Green RAL 6029 *

WS : White RAL 9010 *

GR : Grey RAL 7040

BR : Brown RAL 8024 *

OR : Orange RAL 2011