

WSB2RT

Switch for Appliance
with Signal Indicator

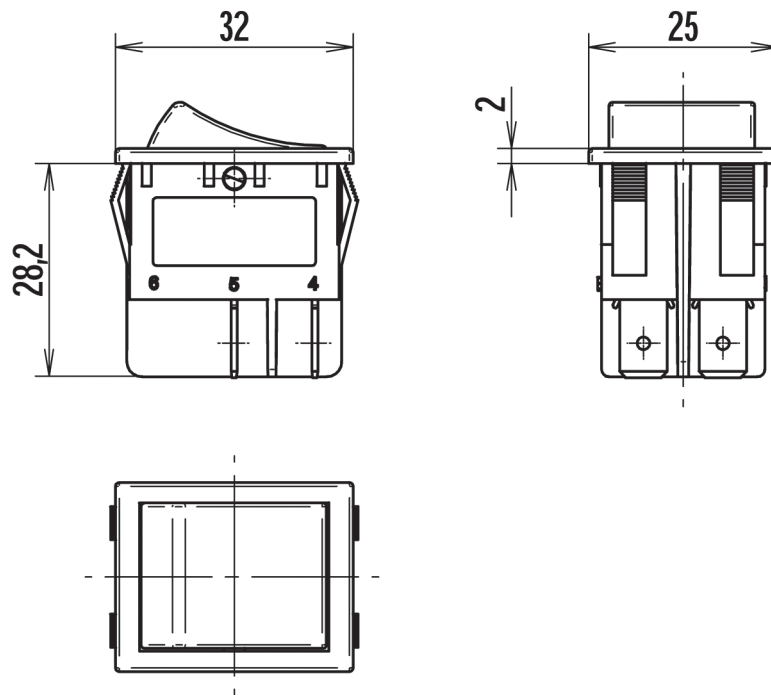
date/contact: 200508/CMA
finishing: LHE
last update: 141113/CMA
drawing: 91031
unit: mm
tolerance: ± 0.2
page: 1/2

EVE GmbH
Hollefeldstr. 16
48282 Emsdetten
Tel.: +49 (0) 25 72 / 93 51 - 0
Fax: +49 (0) 25 72 / 93 51 - 24
www.eve.de • info@eve.de

konform
RoHS
compliant

eve
GmbH
ELEKTRONIK DISTRIBUTION

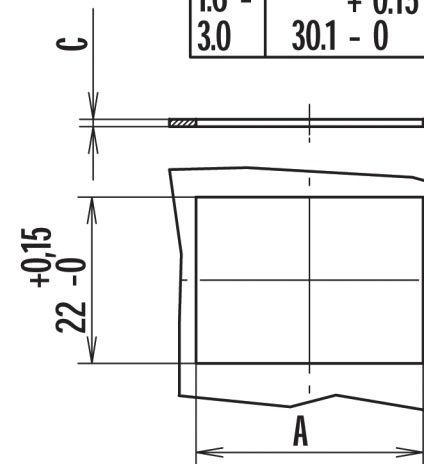
This double pole switch, to be incorporated in appliances, in "soft" design, can be mounted into standard fixing hole.



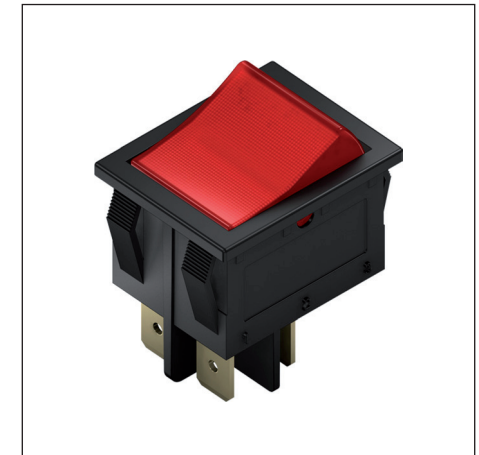
Switch drawn in "off" position

Recommended cutout

C	A
0.7 - 1.5	$+ 0.1$ $30.0 - 0$
1.6 - 3.0	$+ 0.15$ $30.1 - 0$



On introducing side no sharp edges!



Technical specifications series RL2 switches

These different kind of single and double pole switches for appliance with common type reference RL2 are designed for snap-in mounting to panel and for use as incorporated switches.

The following specifications are a guide for end users.

Kind of actuating: Rocker switches

Connection means (terminals): Tabs (male terminals) 6.3 x 0.8

Ambient air temperature: To be used at an ambient temperature of minimum 0°C and maximum 85 °C (actuating member outside of the temperature)

Rated voltage: 250 V

Nature of supply: AC

Rated current and type of load: 16 A resistive load / 4 A motorload

Number of operating: 10.000 operating cycles (under load); 100.000 operating cycles (without load)

Contact disconnection: Full (minimum 3 mm)

Proof tracking resistance index: 250V

Application class category: Category D

Degree of protection: IP20

Applicability for degree of pollution: Normal situation

Appliance: Applicability: for appliance of class II

Actuating: Direct

Signal indicator: The signal indicator of the rocker has the following specifications: Lighting mean is a neon glowlamp (normal, green fluorescent or blue fluorescent); nature of supply is AC; the rated voltage is 250V; the rated power is max. 1W. His function is the indication of the "on" position of the switch or another indication, independent (only double pole switches) or dependent of the position of the rocker (see electrical diagram).

Colours of lighted rocker or circular lens: Red transparent, green transparent, amber (orange transparent), colourless (clear transparent) and blue transparent


Colours of body: Black and white

Colours of rocker with circular lens: Black and white

Chrome plated frame: The housings of the switches can also be covered by a chrome plated frame to improve their appearance. The size of the frontal increases to 33 x 15 x 3. National standards have to be observed; in some countries the use of metal frame is not allowed

Indicator lights: For same cutout and design, there are indicator lights available (series 902 and 903)

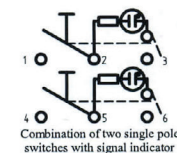
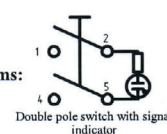
Applicable standard: EN 61 058 (equivalent to IEC1058)

Conformity mark: 

Voluntary conformity mark:



Electrical diagrams:



Notes: Other colours for body or rocker, other voltages, other lighting means, other executions, other degree of protection, marking on rocker, a. s. o. have to be offered specifically.

Order instructions

For orders, please indicate: Kind (style) of switch, type reference (RL2), colour of housing or if metal frame desired, colour of rocker and colour of circular lens or colour of transparent rocker and type of glowlamp

Example1: Two single pole switches with signal indicator, type RL2, metal frame, black with green circular lens and green fluorescent glowlamp.

Example2: Double pole switch with signal indicator, type RL2, white, red transparent rocker, normal glowlamp.