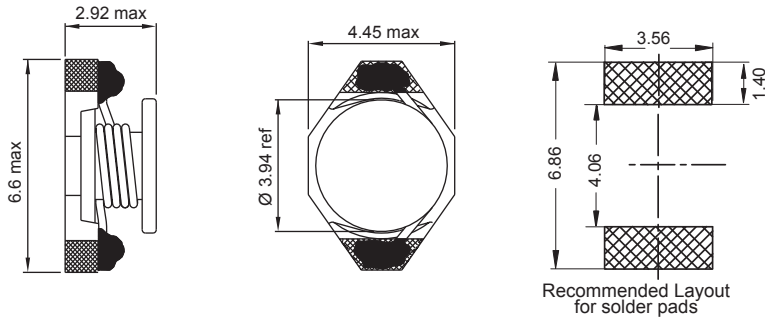
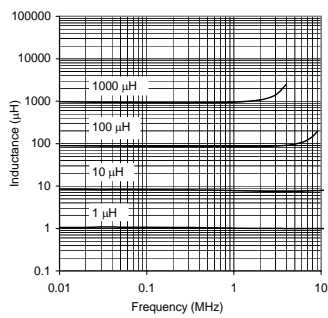


PISG



Typical L vs Frequency (f)



Part No	Inductance L (μH)	f_L (MHz)	Tol \pm (%)	SRF min (MHz)	DCR max (Ω)	Rated DC Current (A)	
						I_{sat}	$I_{\Delta T = 30^\circ\text{C}}$
PISG-1R0X-01	1.0	0.1	10, 20	130	0.05	2.9	2.9
PISG-1R5X-01	1.5	0.1	10, 20	115	0.06	2.6	2.8
PISG-2R2X-01	2.2	0.1	10, 20	90	0.07	2.3	2.4
PISG-3R3X-01	3.3	0.1	10, 20	70	0.08	2.0	2.0
PISG-4R7X-01	4.7	0.1	10, 20	50	0.09	1.5	1.5
PISG-6R8X-01	6.8	0.1	10, 20	45	0.13	1.2	1.4
PISG-100X-01	10	0.1	10, 20	35	0.16	1.1	1.2
PISG-150X-01	15	0.1	10, 20	30	0.23	0.9	1.1
PISG-220X-01	22	0.1	10, 20	20	0.37	0.7	0.8
PISG-270X-01	27	0.1	10, 20	15	0.51	0.65	0.7
PISG-330X-01	33	0.1	10, 20	15	0.51	0.58	0.6
PISG-470X-01	47	0.1	10, 20	14	0.64	0.50	0.5
PISG-560X-01	56	0.1	10, 20	11	0.86	0.40	0.4
PISG-680X-01	68	0.1	10, 20	11	0.86	0.40	0.4
PISG-101X-01	100	0.1	10, 20	9	1.00	0.40	0.3
PISG-151X-01	150	0.1	10, 20	6	2.00	0.27	0.25
PISG-221X-01	220	0.1	10, 20	5.5	3.11	0.22	0.20
PISG-331X-01	330	0.1	10, 20	5	3.80	0.18	0.16
PISG-471X-01	470	0.1	10, 20	4	5.06	0.16	0.15
PISG-561X-01	560	0.1	10, 20	3	9.00	0.15	0.15
PISG-681X-01	680	0.1	10, 20	3	9.20	0.14	0.12
PISG-102X-01	1000	0.1	10, 20	2	13.8	0.10	0.07

Material : Ferrite, Ceramic base

SPQ : Reel 750 [-01]

Remark : I_{sat} & $I_{\Delta T}$ - see description in inductors Technical Data