

5.5V Standard Capacitors

ELNA

GREEN
 CAP

70°C

- Small-sized, large capacity, excellent voltage holding.
- For all ratings, uniform 5mm pitch of terminal spacing.
- Wider temperature range (-25~+70°C) than battery.
- φ13.5×7.5 size can encase up to 0.33F.
- Ideal for backing up of CMOS's, IC's, microcomputers, RAM's, RTC's and the like used in Video's, tuners, TV sets, telephone sets and others.



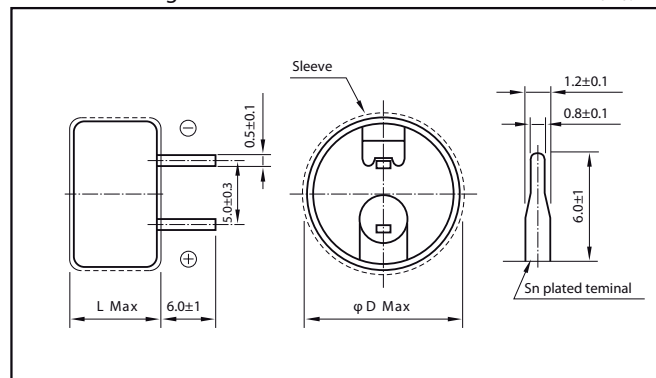
Marking color : White print on an indigo sleeve

Specifications

Item	Performance						
Category temperature range (°C)	-25 to +70						
Tolerance at rated capacitance (%)	-20 to +80						
Internal resistance at 1 kHz	Rated capacitance (F)	0.047	0.1	0.22	0.33	0.47	1.0
	Internal resistance (Ω)	120	75	75	75	30	30
Characteristics at high and low temperature	Percentage of capacitance change	Within ±30% of the value at 20°C					
	Internal resistance	Less than five times of the value at 20°C					
Endurance (70°C)	Test time	1000 hours					
	Percentage of capacitance change	Within ±30% of the initial measured value					
	Internal resistance	Within four times of the initial specified value					
Shelf life (70°C)	Test time : 1000 hours ; Same as endurance.						
Applicable standards	Conforms to JEITA RC-2377 (EIAJ RC-2377)						

Outline Drawing

Unit : mm



Standard Ratings

Max. operating voltage (V)	Rated capacitance (F)	φDL (mm)
5.5	0.047	13.5×7.5
5.5	0.1	13.5×7.5
5.5	0.22	13.5×7.5
5.5	0.33	13.5×7.5
5.5	0.47	21.5×8.0
5.5	1.0	21.5×8.0