

# PIN HEADER 2.54 mm STRAIGHT TYPE

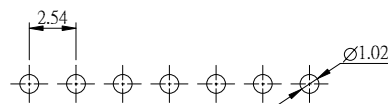
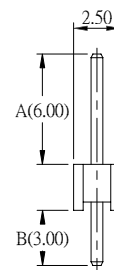
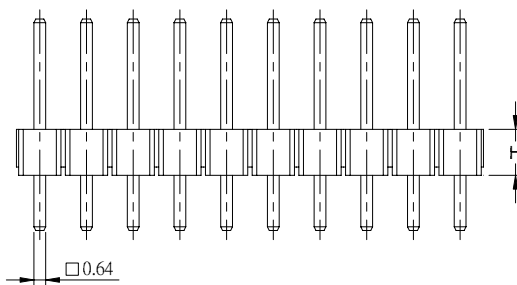
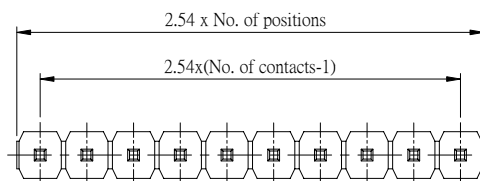


## SPECIFICATION

Current Rate:3 AMP  
Insulation Resistance:5000M  $\Omega$  Min.  
Contact Resistance:10m  $\Omega$  Max.  
Dielectric voltage:100V AC for one minute  
Operation Temperature:-40°C to +105°C

## MATERIAL

Insulator:Polyester,UL 94V-0 ©Standard:P.B.T  
Contact Pin:Brass  
Finish:Tin,Gold plated ©Standard:Gold flash all over



Recommended PCB Layout  
(PCB TOLERANCE  $\pm 0.05$ )

## ORDER INFORMATION

### Bestell Code/Order Code:

Stiftleiste einreihig - ① - ② - ③

① = Polzahl / No of contacts all (02-50)

② = gerade / straight

③ = Länge / Length 1160

# PIN HEADER 2.54 mm STRAIGHT TYPE

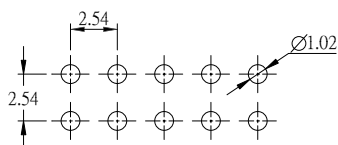
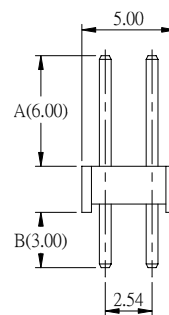
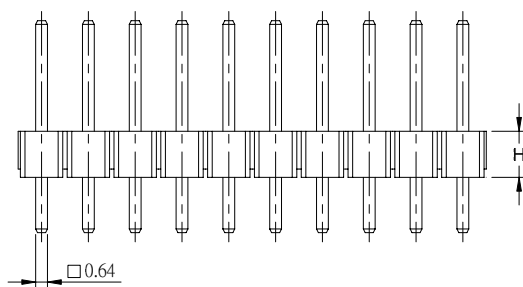
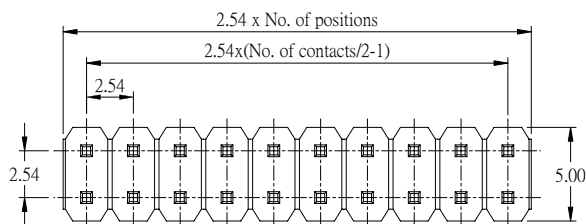


## SPECIFICATION

Current Rate:3 AMP  
Insulation Resistance:5000M  $\Omega$  Min.  
Contact Resistance:10m  $\Omega$  Max.  
Dielectric voltage:100V AC for one minute  
Operation Temperature:-40°C to +105°C

## MATERIAL

Insulator:Polyester,UL 94V-0 ©Standard:P.B.T  
Contact Pin:Brass  
Finish:Tin,Gold plated ©Standard:Gold flash all over



Recommended PCB Layout  
(PCB TOLERANCE  $\pm 0.05$ )

# ORDER INFORMATION

## Bestell Code/Order Code:

Stiftleiste zweireihig - ① - ②- ③

① = Polzahl / No of contacts all (02-100)

② = gerade / straight

③ = Länge / Length 1160

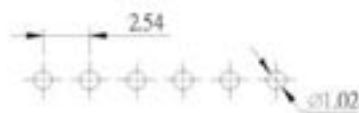
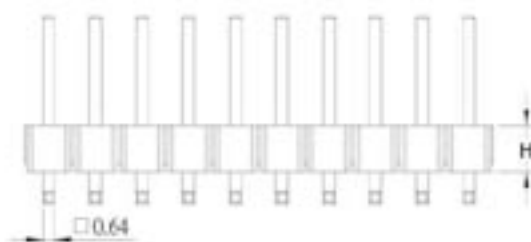
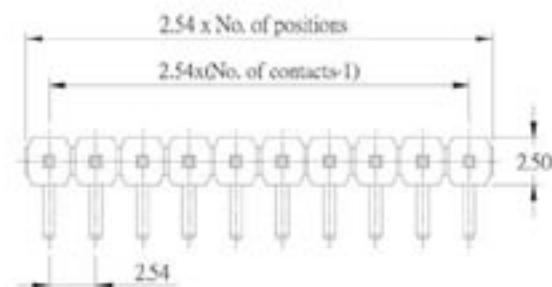
# PIN HEADER 2.54 mm RIGHT ANGLE TYPE

## SPECIFICATION

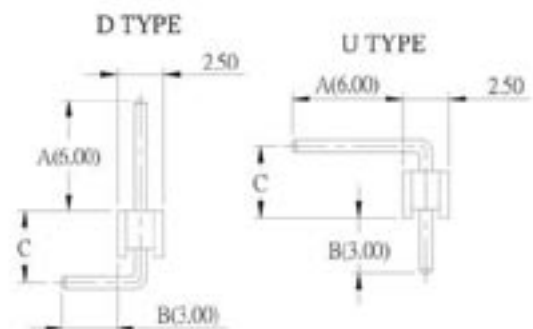
Current Rate: 3 AMP  
 Insulation Resistance: 5000M  $\Omega$  Min.  
 Contact Resistance: 10m  $\Omega$  Max.  
 Dielectric voltage: 100V AC for one minute  
 Operation Temperature: -40°C to +105°C

## MATERIAL

Insulator: Polyester, UL 94V-0 ©Standard: P.B.T  
 Contact Pin: Brass  
 Finish: Tin, Gold plated ©Standard: Gold flash all over



Recommended PCB Layout  
 (PCB TOLERANCE: ±0.05)



Height	Dim-C
1.6	2.9
1.7	3.1
2.0	3.9

D TYPE

Height	Dim-C
1.6	6.0
1.7	6.2
2.0	6.0

U TYPE

## ORDER INFORMATION

### Bestell Code/Order Code:

Stiftleiste einreihig - ① - ② - ③

① = Polzahl / No of contacts all (02-50)

② = D-Type / U-Type

③ = abgewinkelt / right angle

# PIN HEADER 2.54 mm RIGHT ANGLE TYPE

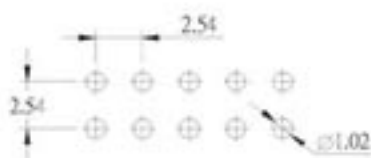
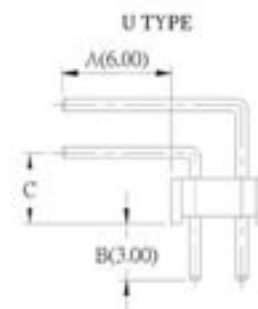
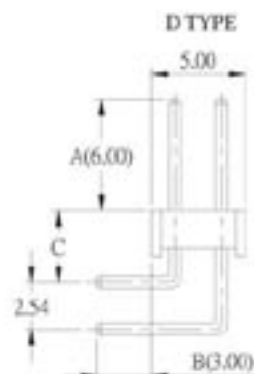
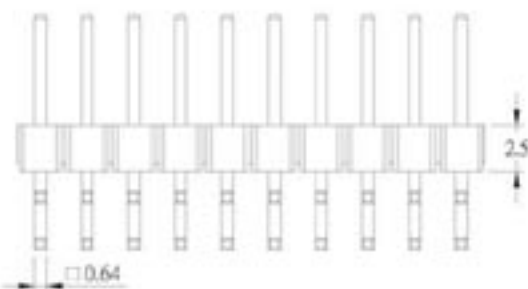
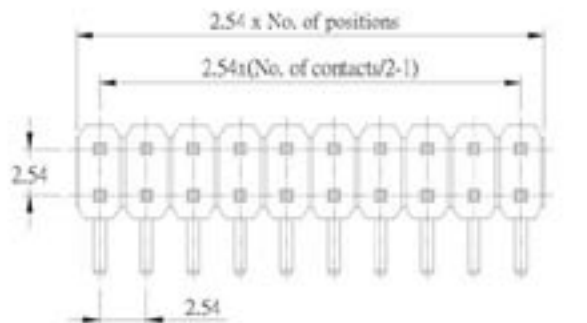


## SPECIFICATION

Current Rate: 3 AMP  
 Insulation Resistance: 5000M  $\Omega$  Min.  
 Contact Resistance: 10m  $\Omega$  Max.  
 Dielectric voltage: 100V AC for one minute  
 Operation Temperature: -40°C to +105°C

## MATERIAL

Insulator: Polyester, UL 94V-0  $\odot$  Standard: P.B.T  
 Contact Pin: Brass  
 Finish: Tin, Gold plated  $\odot$  Standard: Gold flash all over



Recommended PCB Layout  
 (PCB TOLERANCE: 0.05)

Height	Dim C
1.5	2.9
1.7	3.1
2.5	3.9

D TYPE

Height	Dim C
1.5	5.0
1.7	5.2
2.5	6.0

U TYPE

## ORDER INFORMATION

### Bestell Code/Order Code:

Stiftleiste zweireihig - ① - ② - ③

① = Polzahl / No of contacts all (02-100)

② = D-Type / U-Type

③ = abgewinkelt / right angle

# PIN HEADER 2.54 mm SMT TYPE

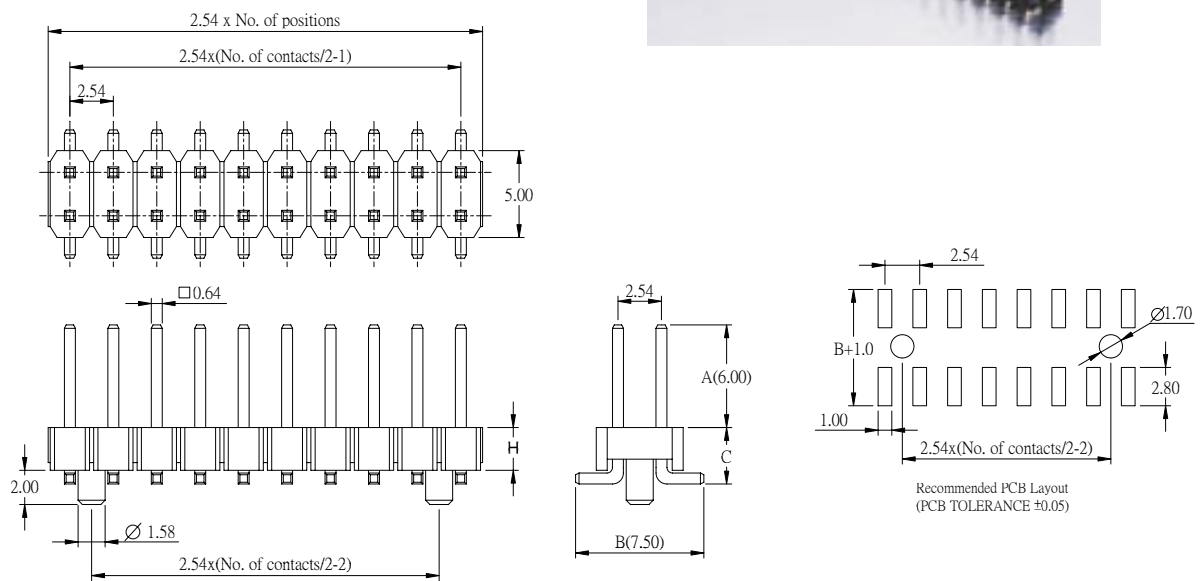
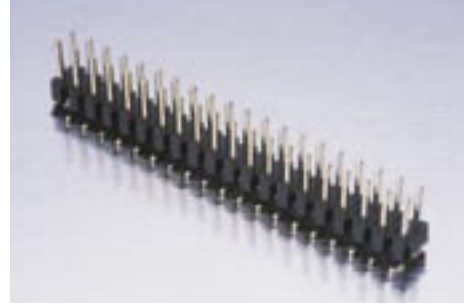


## SPECIFICATION

Current Rate: 3 AMP  
 Insulation Resistance: 5000M  $\Omega$  Min.  
 Contact Resistance: 10m  $\Omega$  Max.  
 Dielectric voltage: 100V AC for one minute  
 Operation Temperature: -40°C to +105°C

## MATERIAL

Insulator: Polyester, UL 94V-0  $\odot$ Standard: Nylon-6T  
 Contact Pin: Brass  
 Finish: Tin, Gold plated  $\odot$ Standard: Gold flash all over



	Code	Dim A	Dim B	Dim C		
				H=1.5	H=1.7	H=2.5
Singl row	600	6.00	5.00	2.3	2.5	3.3
	800	8.00	5.00			
Dual row	600	6.00	7.50	2.3	2.5	3.3
	800	8.00	7.50			

# ORDER INFORMATION

## Bestell Code/Order Code:

Stiftleiste zweireihig - **1** - **2**

**1** = Polzahl / No of contacts all (02-100)

**2** = gerade/straight SMT

# PIN HEADER 2.54 mm SMT RIGHT ANGLE TYPE

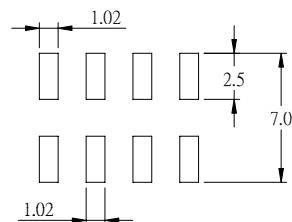
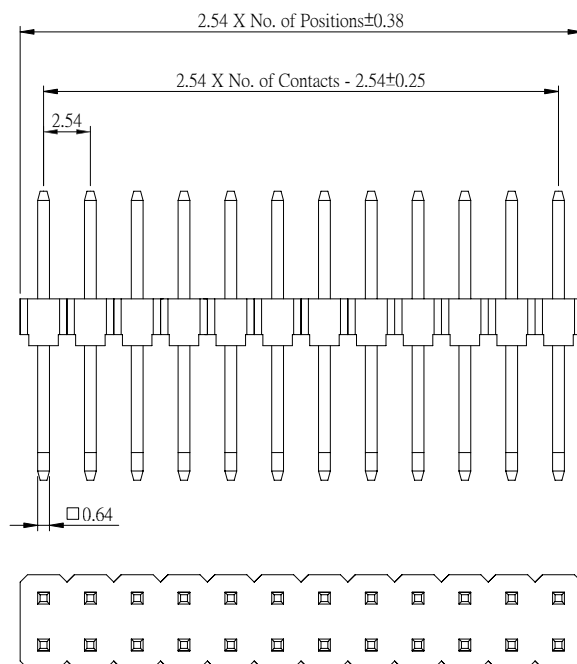
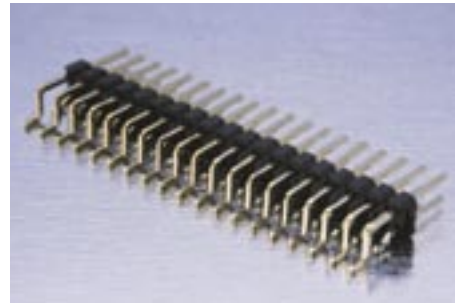


## SPECIFICATION

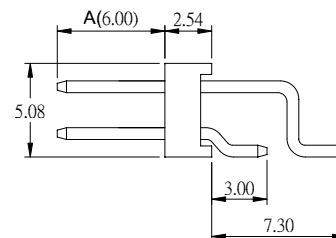
Current Rate: 3 AMP  
Insulation Resistance: 5000M  $\Omega$  Min.  
Contact Resistance: 10m  $\Omega$  Max.  
Dielectric voltage: 100V AC for one minute  
Operation Temperature: -40°C to +105°C

## MATERIAL

Insulator: Polyester, UL 94V-0 ©Standard: Nylon-6T  
Contact Pin: Brass  
Finish: Tin, Gold plated ©Standard: Gold flash all over



Recommended PCB Layout  
(PCB TOLERANCE  $\pm 0.05$ )



## ORDER INFORMATION

### Bestell Code/Order Code:

Stiftleiste zweireihig - ① - ②

① = Polzahl / No of contacts all (03-90)

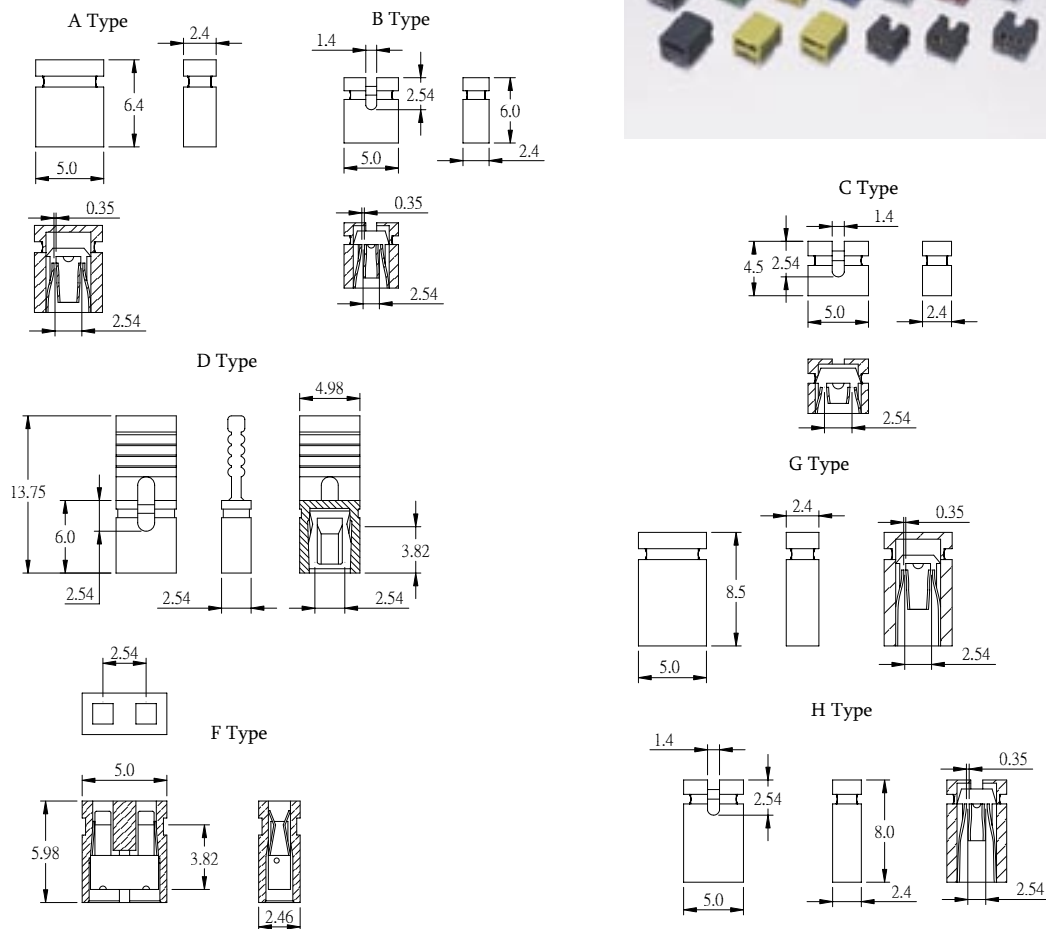
② = abgewinkelt SMT / right angle SMT

## SPECIFICATION

Current Rate: 3 AMP  
 Insulation Resistance: 5000M  $\Omega$  Min.  
 Contact Resistance: 20m  $\Omega$  Max.  
 Dielectric Voltage: 100V AC for one minute  
 Operation Temperature: -40°C to +105°C

## MATERIAL

Insulator: PBT+30% Glass fiber, UL 94V-0  
 Contact Pin: Phosphor bronze or brass  
 Contact Plated: Gold over Nickel or Tin



## ORDER INFORMATION

### Bestell Code/Order Code:

JUMPER - ① - ② - ③

① = 6,5 mm; 4,5 mm; 13,5 mm

② = Isolierkörper / Insulator: B = Schwarz / black; U = Blau / blue; G = Grau / gray;  
 E = Grün / green; W = Weiß / white

③ = Ohne / without = open; closed = closed Version

## MINI JUMPER MULTI-POST 2.54 mm

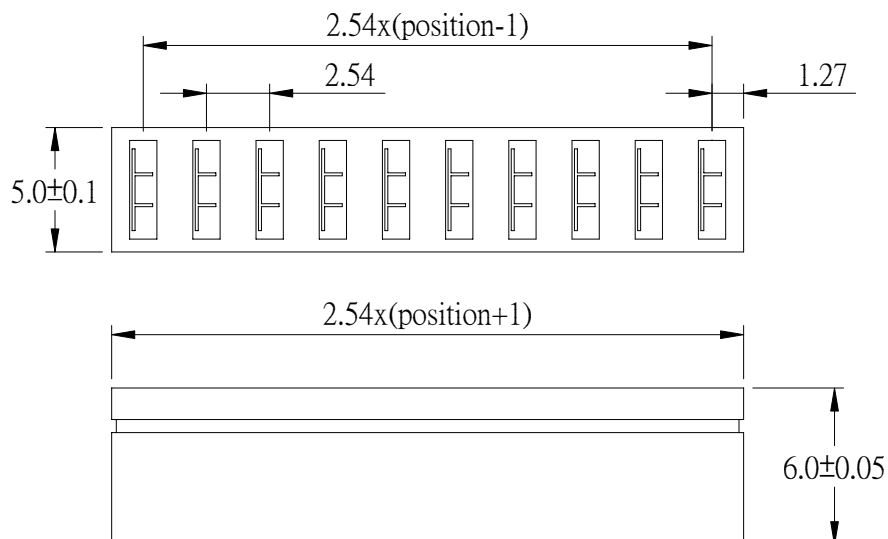


### SPECIFICATION

Current Rate:3 AMP  
Insulation Resistance:5000M  $\Omega$  Min.  
Contact Resistance:20m  $\Omega$  Max.  
Dielectric Voltage:100V AC for one minute  
Operation Temperature:-40°C to +105°C

### MATERIAL

Insulator:PBT+30% Glass fiber,UL 94V-0  
Contact Pin:brass  
Contact Plated:Gold over Nickel or Tin



## ORDER INFORMATION

### Bestell Code/Order Code:

JUMPERSTREIFEN -  $\boxed{1}$  -  $\boxed{2}$

$\boxed{1}$  = Polzahl / No. of contacts (02 - 10)

$\boxed{2}$  = Isolierkörper / Insulator: B = Schwarz / black; U = Blau / blue; G = Grau / gray;  
E = Grün / green; W = Weiß / white



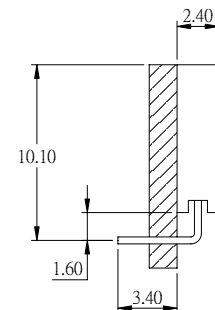
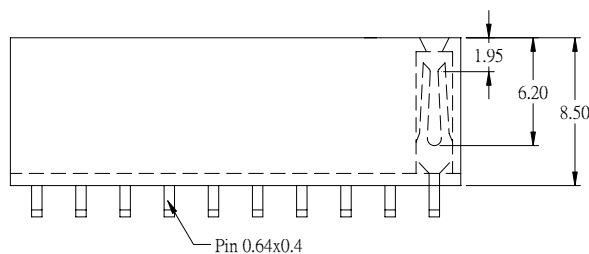
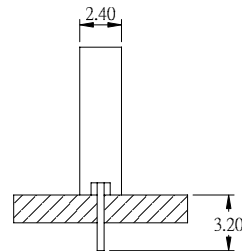
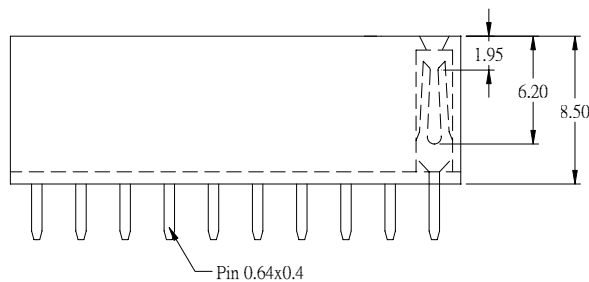
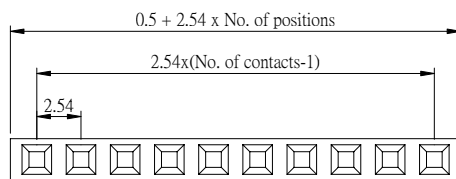
# FEMALE HEADER 2.54 PLASTIC HEIGHT 8.5 mm STA/RA TYPE

## SPECIFICATION

Current Rate: 3 AMP  
 Insulation Resistance: 5000M  $\Omega$  Min.  
 Contact Resistance: 20m  $\Omega$  Max.  
 Dielectric Voltage: 100V AC for one minute  
 Operation Temperature: -40°C to +105°C

## MATERIAL

Insulator Material: Polyester, UL 94V-0  
 ©Standard: P.B.T  
 Contact Material: Phosphor Bronze  
 Finish: Tin, Gold or Duplex plated  
 ©Standard: Gold flash all over



Recommended PCB Layout  
 (PCB TOLERANCE  $\pm 0.05$ )

## ORDER INFORMATION

### Bestell Code/Order Code:

Buchsenleiste 1-reihig - **1** - **2**

**1** = Polzahl / No of contacts all (2-40)

**2** = Ausführung / Version (G = gerade / straight; A = abgewinkelt / right angle)

# FEMALE HEADER 2.54 PLASTIC HEIGHT 8.5 mm STA/RA TYPE

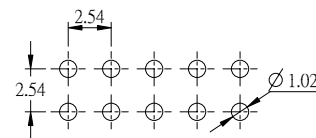
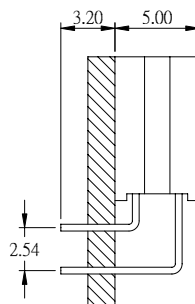
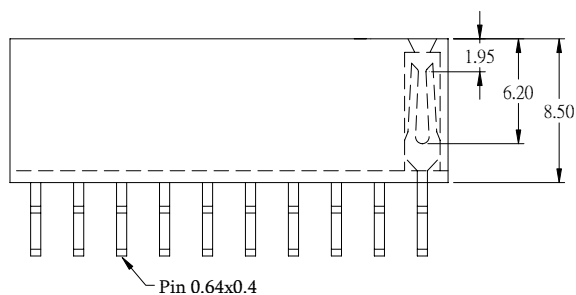
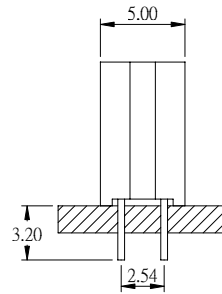
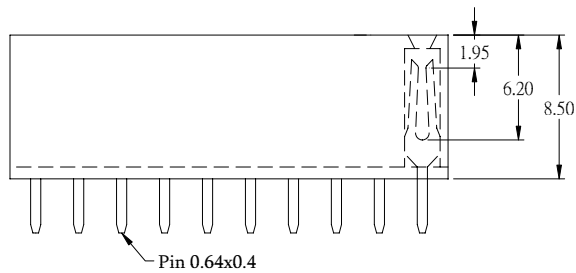
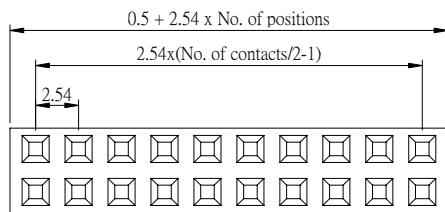
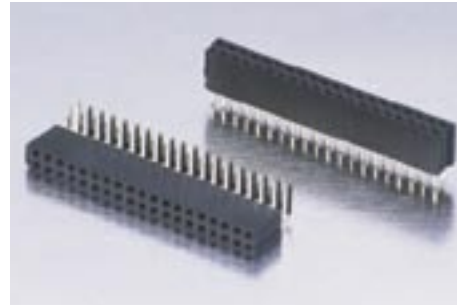


## SPECIFICATION

Current Rate: 3 AMP  
 Insulation Resistance: 5000M  $\Omega$  Min.  
 Contact Resistance: 20m  $\Omega$  Max.  
 Dielectric Voltage: 100V AC for one minute  
 Operation Temperature: -40°C to +105°C

## MATERIAL

Insulator Material: Polyester, UL 94V-0  
 ©Standard: P.B.T  
 Contact Material: Phosphor Bronze  
 Finish: Gold plated  
 ©Standard: Gold flash all over



Recommended PCB Layout  
 (PCB TOLERANCE  $\pm 0.05$ )

## ORDER INFORMATION

### Bestell Code/Order Code:

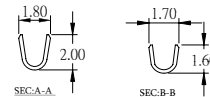
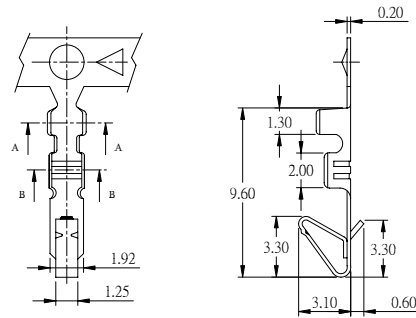
Buchsenleiste 2-reihig - **1** - **2**

**1** = Polzahl / No of contacts all (4-64)

**2** = Ausführung / Version (G = gerade / straight; A = abgewinkelt / right angle)

## 2.54 mm TERMINAL / HOUSING

### 2.54mm TERMINAL

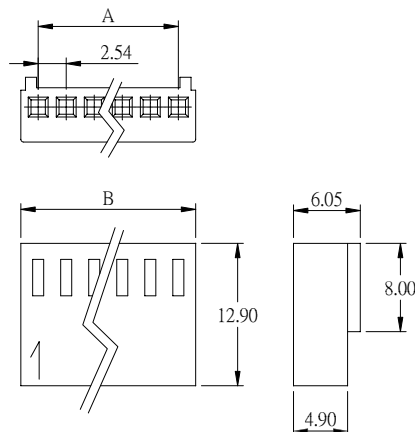


Part No	Wire Range	Insulation O.D.	Material	Finish	Qty/reel
2542-TTB	AWG#22-#28	1.50mm(max)	Brass	Tin-plated	10,000pcs
2542-TGB	AWG#22-#28	1.50mm(max)	Brass	Gold-plated	
2542-TTP	AWG#22-#28	1.50mm(max)	Phosphor Bronze	Tin-plated	

**Part No.:2542-T**

### 2.54mm HOUSING

**SPECIFICATIONS**  
 Current Rating: 2.5A AC,DC  
 Voltage Rating: 250V AC,DC  
 Temperature Range: -25°C to +85°C  
 Contact Resistance: 20mΩ Max  
 Insulation Resistance: 1000MΩ Min  
 Withstanding Voltage: 1000V AC/minute  
 Material: Nylon 66,UL94V 2



PART NO.	Dimensions	
	A	B
2542H-02W	2.54	5.68
2542H-03W	5.08	8.22
2542H-04W	7.62	10.76
2542H-05W	10.16	13.30
2542H-06W	12.70	15.84
2542H-07W	15.24	18.38
2542H-08W	17.78	20.92
2542H-09W	20.32	23.46
2542H-10W	22.86	26.00
2542H-11W	25.40	28.54
2542H-12W	27.94	31.08
2542H-13W	30.48	33.62
2542H-14W	33.02	36.16
2542H-15W	35.56	38.70
2542H-16W	38.10	41.24
2542H-17W	40.64	43.78
2542H-18W	43.18	46.32
2542H-19W	45.72	48.86
2542H-20W	48.26	51.40

**Part No.:2542H-XXW**

## ORDER INFORMATION

**Bestell Code/Order Code: PB - 1**

**1** = Polzahl / No. of contacts (02 - 20)

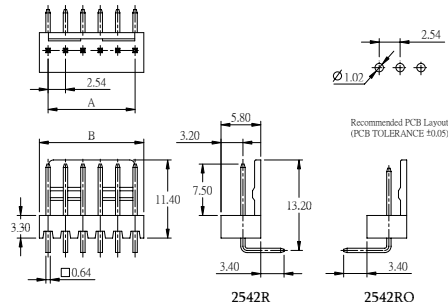
# 2.54 mm WAFER RIGHT ANGLE / STRAIGHT



## 2.54mm WAFER RIGHT ANGLE

### SPECIFICATIONS

Current Rating: 2.5A AC,DC  
 Voltage Rating: 250V AC,DC  
 Temperature Range: -25°C to +85°C  
 Contact Resistance: 20mΩ Max  
 Insulation Resistance: 1000MΩ Min  
 Withstanding Voltage: 1000V AC/minute  
 Pin Material: Brass/Tin-plated  
 Material: Nylon 66,UL94V-2



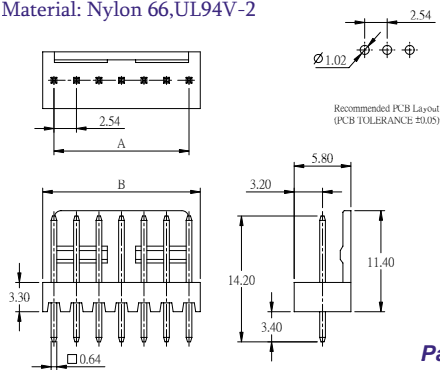
Contact	Dimensions	
	A	B
02	2.54	5.08
03	5.08	7.62
04	7.62	10.16
05	10.16	12.70
06	12.70	15.24
07	15.24	17.78
08	17.78	20.32
09	20.32	22.86
10	22.86	25.40
11	25.40	27.94
12	27.94	30.48
13	30.48	33.02
14	33.02	35.56
15	35.56	38.10
16	38.10	40.64
17	40.64	43.18
18	43.18	45.72
19	45.72	48.26
20	48.26	50.80

©:Standard Recommend

## 2.54mm WAFER STRAIGHT

### SPECIFICATIONS

Current Rating: 2.5A AC,DC  
 Voltage Rating: 250V AC,DC  
 Temperature Range: -25°C to +85°C  
 Contact Resistance: 20mΩ Max  
 Insulation Resistance: 1000MΩ Min  
 Withstanding Voltage: 1000V AC/minute  
 Pin Material: Brass/Tin-plated  
 Material: Nylon 66,UL94V-2



PART NO.	Dimensions	
	A	B
2542S-02TR	2.54	5.08
2542S-03TR	5.08	7.62
2542S-04TR	7.62	10.16
2542S-05TR	10.16	12.70
2542S-06TR	12.70	15.24
2542S-07TR	15.24	17.78
2542S-08TR	17.78	20.32
2542S-09TR	20.32	22.86
2542S-10TR	22.86	25.40
2542S-11TR	25.40	27.94
2542S-12TR	27.94	30.48
2542S-13TR	30.48	33.02
2542S-14TR	33.02	35.56
2542S-15TR	35.56	38.10
2542S-16TR	38.10	40.64
2542S-17TR	40.64	43.18
2542S-18TR	43.18	45.72
2542S-19TR	45.72	48.26
2542S-20TR	48.26	50.80

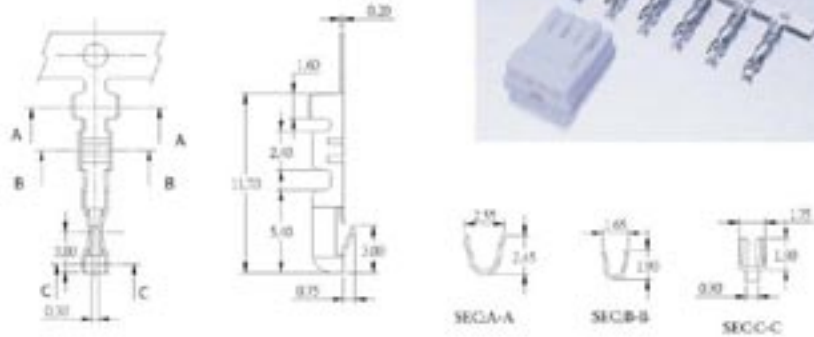
# ORDER INFORMATION

Bestell Code/Order Code: PS - 1 - 2

1 = Polzahl / No. of contacts (02 - 20)

2 = A = abgewinkelt / right angle; G = gerade / straight

## 2.5mm TERMINAL



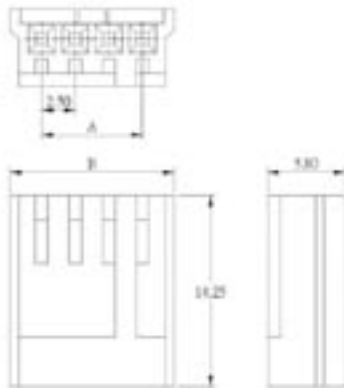
Wire Range	Insulation O.D.	Material	Finish	Qty/reel
AWG#22-#26	1.75mm(max)	Brass	Tin-plated	10,000pcs

**Part No.:2500-T**

## 2.5mm HOUSING

### SPECIFICATIONS

Current Rating: 3A AC,DC  
 Voltage Rating: 250V AC,DC  
 Temperature Range: -25°C to +85°C  
 Contact Resistance: 20mΩ Max  
 Insulation Resistance: 1000MΩ Min  
 Withstanding Voltage: 800V AC/minute  
 Material: Nylon 66,UL94V-2



PART NO.	Dimensions	
	A	B
2500H-02W	2.50	7.25
2500H-03W	5.00	9.75
2500H-04W	7.50	12.25
2500H-05W	10.00	14.75
2500H-06W	12.50	17.25
2500H-07W	15.00	19.75
2500H-08W	17.50	22.25
2500H-09W	20.00	24.75
2500H-10W	22.50	27.25
2500H-11W	25.00	29.75
2500H-12W	27.50	32.25

**Part No.:2500H-XXW**

## ORDER INFORMATION

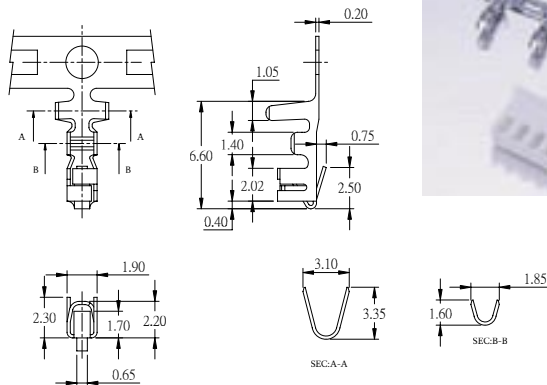
Bestell Code/Order Code: PB - 1 - 2,5

1 = Polzahl / No. of contacts (02 - 12)

# 2.5 mm TERMINAL / HOUSING



## 2.5mm TERMINAL



Part No.	Wire Range	Insulation O.D.	Material	Finish	Qty/reel
2503-TB	AWG#22-#28	1.90mm(max)	Brass	Tin-plated	8,000pcs
2503 TP	AWG#22-#28	1.90mm(max)	Phosphor Bronze	Tin-plated	8,000pcs

**Part No.:2503-T**

## 2.5mm HOUSING

### SPECIFICATIONS

Current Rating:3A AC,DC

Voltage Rating: 250V AC,DC

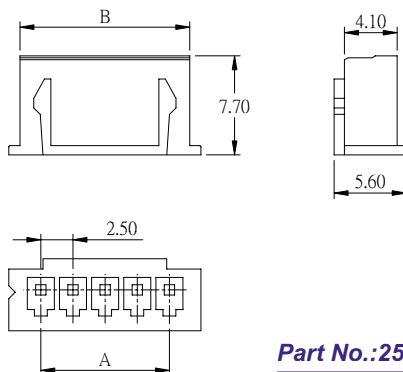
Temperature Range: -25°C to +85°C

Contact Resistance: 20mΩ Max

Insulation Resistance: 1000MΩ Min

Withstanding Voltage: 800V AC/minute

Material: Nylon 66,UL94V-0



**Part No.:2503H-XXW**

PART NO.	Dimensions	
	A	B
2503H-02W	2.50	5.70
2503H-03W	5.00	8.20
2503H-04W	7.50	10.70
2503H-05W	10.00	13.20
2503H-06W	12.50	15.70
2503H-07W	15.00	18.20
2503H-08W	17.50	20.70
2503H-09W	20.00	23.20
2503H-10W	22.50	25.70
2503H-11W	25.00	28.20
2503H-12W	27.50	30.70
2503H-13W	30.00	33.20
2503H-14W	32.50	35.70
2503H-15W	35.00	38.20
2503H-16W	37.50	40.70
2503H-17W	40.00	43.20
2503H-18W	42.50	45.70
2503H-19W	45.00	48.20
2503H-20W	47.50	50.70

## ORDER INFORMATION

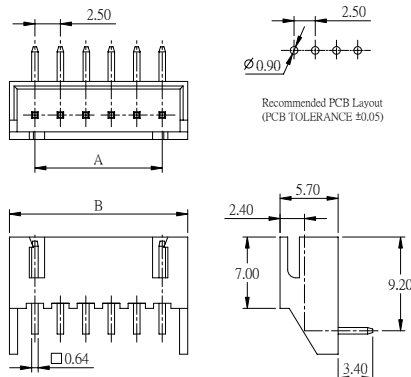
Bestell Code/Order Code: PBW - [1] - 2,5

[1] = Polzahl / No. of contacts (02 - 20)

## 2.5mm WAFER RIGHT ANGLE

### SPECIFICATIONS

Current Rating: 3A AC,DC  
 Voltage Rating: 250V AC,DC  
 Temperature Range: -25°C to +85°C  
 Contact Resistance: 20mΩ Max  
 Insulation Resistance: 1000MΩ Min  
 Withstanding Voltage: 800V AC/minute  
 Pin Material: Brass/Tin-plated  
 Material: Nylon 66,UL94V-0



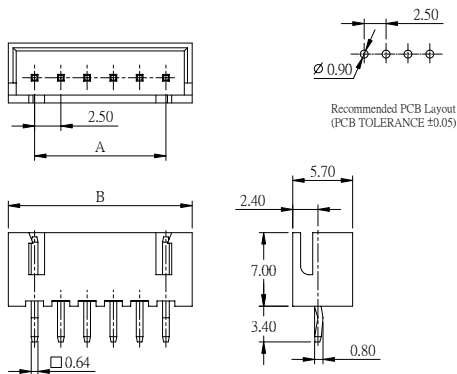
**Part No.:2503R-XXTW**

PART NO.	Dimensions	
	A	B
2503R-02TW	2.50	7.50
2503R-03TW	5.00	10.00
2503R-04TW	7.50	12.50
2503R-05TW	10.00	15.00
2503R-06TW	12.50	17.50
2503R-07TW	15.00	20.00
2503R-08TW	17.50	22.50
2503R-09TW	20.00	25.00
2503R-10TW	22.50	27.50
2503R-11TW	25.00	30.00
2503R-12TW	27.50	32.50
2503R-13TW	30.00	35.00
2503R-14TW	32.50	37.50
2503R-15TW	35.00	40.00
2503R-16TW	37.50	42.50
2503R-17TW	40.00	45.00
2503R-18TW	42.50	47.50
2503R-19TW	45.00	50.00
2503R-20TW	47.50	52.50

## 2.5mm WAFER STRAIGHT

### SPECIFICATIONS

Current Rating: 3A AC,DC  
 Voltage Rating: 250V AC,DC  
 Temperature Range: -25°C to +85°C  
 Contact Resistance: 20mΩ Max  
 Insulation Resistance: 1000MΩ Min  
 Withstanding Voltage: 800V AC/minute  
 Pin Material: Brass/Tin-plated  
 Material: Nylon 66,UL94V-0



**Part No.:2503S-XXTW**

PART NO.	Dimensions	
	A	B
2503S-02TW	2.50	7.50
2503S-03TW	5.00	10.00
2503S-04TW	7.50	12.50
2503S-05TW	10.00	15.00
2503S-06TW	12.50	17.50
2503S-07TW	15.00	20.00
2503S-08TW	17.50	22.50
2503S-09TW	20.00	25.00
2503S-10TW	22.50	27.50
2503S-11TW	25.00	30.00
2503S-12TW	27.50	32.50
2503S-13TW	30.00	35.00
2503S-14TW	32.50	37.50
2503S-15TW	35.00	40.00
2503S-16TW	37.50	42.50
2503S-17TW	40.00	45.00
2503S-18TW	42.50	47.50
2503S-19TW	45.00	50.00
2503S-20TW	47.50	52.50

## ORDER INFORMATION

Bestell Code/Order Code: PSW - **1** - **2** - 2,5

**1** = Polzahl / No. of contacts (02 - 20)

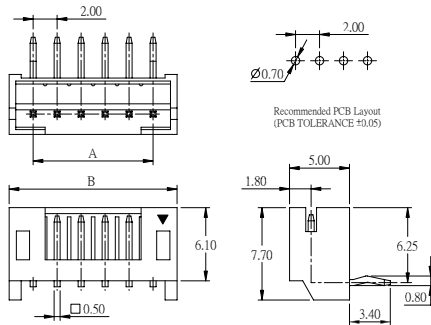
**2** = A = abgewinkelt / right angle; G = gerade / straight

# 2.0 mm WAFER RIGHT ANGLE / STRAIGHT

## 2.0mm WAFER RIGHT ANGLE

### SPECIFICATIONS

Current Rating: 1A AC,DC  
 Voltage Rating: 1000V AC,DC  
 Temperature Range: -25°C to +85°C  
 Contact Resistance: 20mΩ Max  
 Insulation Resistance: 1000MΩ Min  
 Withstanding Voltage: 800V AC/minute  
 Pin Material: Brass/Tin-plated  
 Material: Nylon 66,UL94V-0



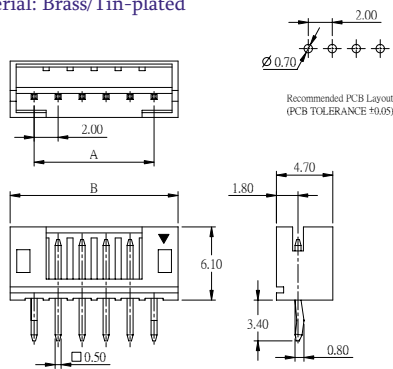
PART NO.	Dimensions	
	A	B
2001R-02TW	2.00	6.00
2001R-03TW	4.00	8.00
2001R-04TW	6.00	10.00
2001R-05TW	8.00	12.00
2001R-06TW	10.00	14.00
2001R-07TW	12.00	16.00
2001R-08TW	14.00	18.00
2001R-09TW	16.00	20.00
2001R-10TW	18.00	22.00
2001R-11TW	20.00	24.00
2001R-12TW	22.00	26.00
2001R-13TW	24.00	28.00
2001R-14TW	26.00	30.00
2001R-15TW	28.00	32.00
2001R-16TW	30.00	34.00

**Part No.:2001R-XXTW**

## 2.0mm WAFER STRAIGHT

### SPECIFICATIONS

Current Rating: 1A AC,DC  
 Voltage Rating: 1000V AC,DC  
 Temperature Range: -25°C to +85°C  
 Contact Resistance: 20mΩ Max  
 Insulation Resistance: 1000MΩ Min  
 Withstanding Voltage: 800V AC/minute  
 Pin Material: Brass/Tin-plated



PART NO.	Dimensions	
	A	B
2001S-02TW	2.00	6.00
2001S-03TW	4.00	8.00
2001S-04TW	6.00	10.00
2001S-05TW	8.00	12.00
2001S-06TW	10.00	14.00
2001S-07TW	12.00	16.00
2001S-08TW	14.00	18.00
2001S-09TW	16.00	20.00
2001S-10TW	18.00	22.00
2001S-11TW	20.00	24.00
2001S-12TW	22.00	26.00
2001S-13TW	24.00	28.00
2001S-14TW	26.00	30.00
2001S-15TW	28.00	32.00
2001S-16TW	30.00	34.00

**Part No.:2001S-XXTW**

# ORDER INFORMATION

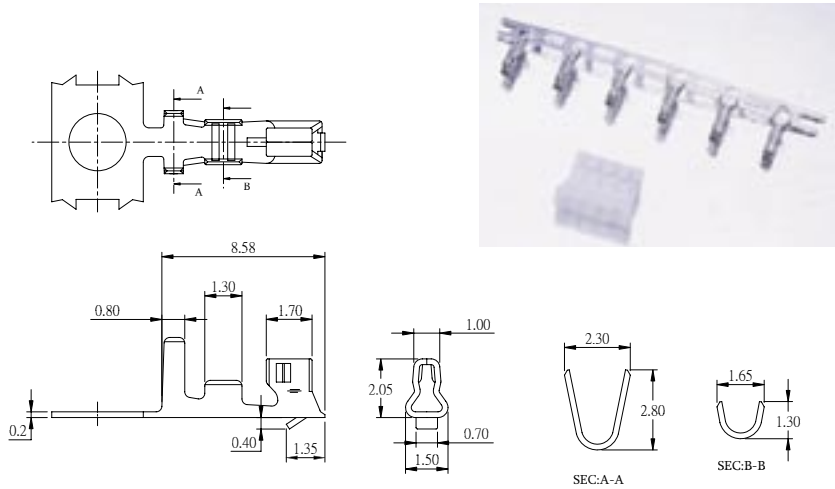
Bestell Code/Order Code: PB - [1] - [2] - 2,0

[1] = Polzahl / No. of contacts (02 - 16)

[2] = A = abgewinkelt / right angle; G = gerade / straight



## 2.0mm TERMINAL

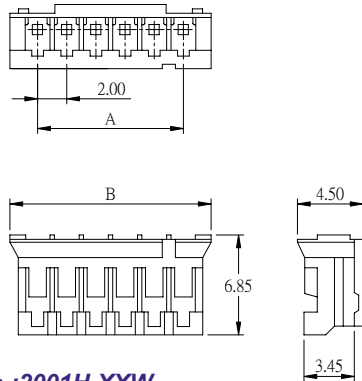


Wire Range	Insulation O.D.	Material	Finish	Qty/reel
AWG#24-#28	1.40mm(max)	Phosphor Bronze	Tin-plated	10,000pcs

**Part No.:2001-T**

## 2.0mm HOUSING

**SPECIFICATIONS**  
 Current Rating: 1A AC,DC  
 Voltage Rating: 100V AC,DC  
 Temperature Range: -25°C to +85°C  
 Contact Resistance: 20mΩ Max  
 Insulation Resistance: 1000MΩ Min  
 Withstanding Voltage: 800V AC/minute  
 Material: Nylon 66,UL94V-0



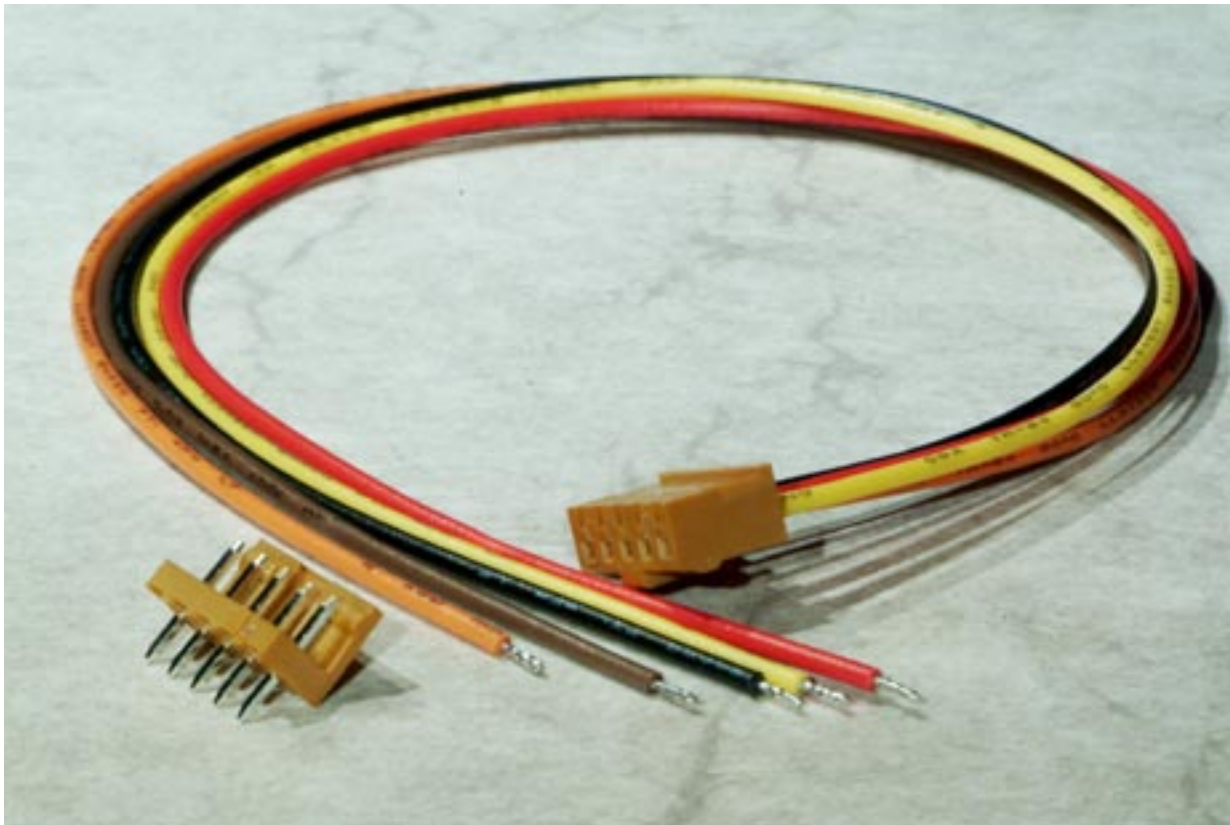
**Part No.:2001H-XXW**

PART NO.	Dimensions	
	A	B
2001H-02W	2.00	5.80
2001H-03W	4.00	7.80
2001H-04W	6.00	9.80
2001H-05W	8.00	11.80
2001H-06W	10.00	13.80
2001H-07W	12.00	15.80
2001H-08W	14.00	17.80
2001H-09W	16.00	19.80
2001H-10W	18.00	21.80
2001H-11W	20.00	23.80
2001H-12W	22.00	25.80
2001H-13W	24.00	27.80
2001H-14W	26.00	29.80
2001H-15W	28.00	31.80
2001H-16W	30.00	33.80

## ORDER INFORMATION

**Bestell Code/Order Code: PB - [ ] - 2,0**

[ ] = Polzahl / No. of contacts (02 - 16)



## PLATINEN Steckverbinder SET

Bestehend aus Stiftleiste und Buchsenleiste mit Kabel.

Länge ca. 25 cm  
alles im Raster 2,54 mm.

## ORDER INFORMATION

**Bestell Code/Order Code:** PS set - ① - ② - ③

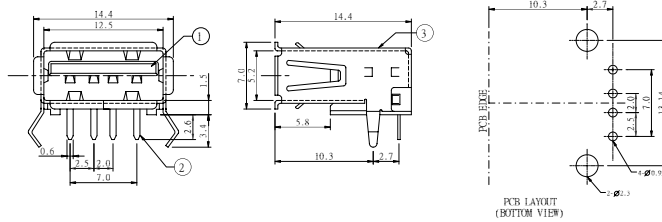
① = Polzahl / No. of contacts (2-10)

② = G = gerade / straight; W = abgewinkelt / right angle

③ = Farbe / colour ( braun / brown; weiß / white)

# USB A TYPE

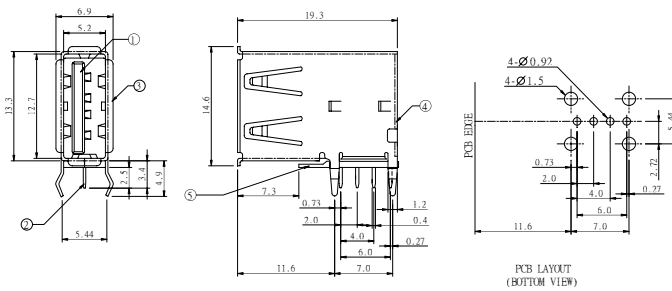
## FEMALE DIP 90°



No.	NAME	MATERIAL	FINISH	REMARK	QTY
1	HOUSING	P.B.T. G.F.	BLACK/WHITE		1
2	PIN TERM.	PHOS. BRONZE T:0.25	GOLD/TIN PLATED	11-15/18/30 S0.013- $\mu$	4
3	SHELL	BRASS T:0.3	TIN PLATED	TIN-3-5 $\mu$	1



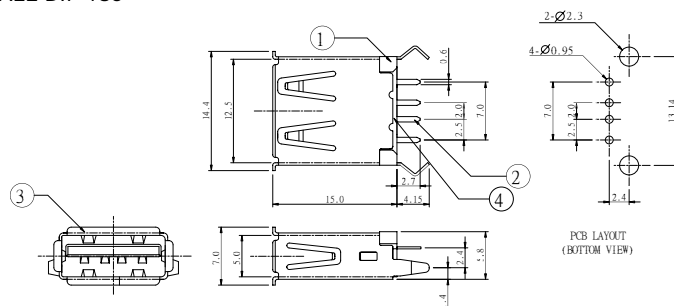
## FEMALE DIP UPRIGHT



No.	NAME	MATERIAL	FINISH	REMARK	QTY
1	HOUSING	P.B.T. G.F.	BLACK/WHITE		1
2	PIN TERM.	PHOS. BRONZE T:0.25	GOLD/TIN PLATED	11-15/18/30 S0.013- $\mu$	4
3	SHELL	BRASS T:0.3	TIN PLATED	TIN-3-5 $\mu$	1
4	SHELL	SPCC T:0.3	NICKEL PLATED	NI-2-3 $\mu$	1
5	BOTTOM COVER	P.B.T. G.F.	WHITE		1



## FEMALE DIP 180°



No.	NAME	MATERIAL	FINISH	REMARK	QTY
1	HOUSING	P.B.T. G.F.	BLACK/WHITE		1
2	PIN TERM.	PHOS. BRONZE T:0.25	GOLD/TIN PLATED	11-15/18/30 S0.013- $\mu$	4
3	SHELL	BRASS T:0.3	TIN PLATED	TIN-3-5 $\mu$	1
4	BOTTOM COVER	P.B.T. G.F.	WHITE		1



# ORDER INFORMATION

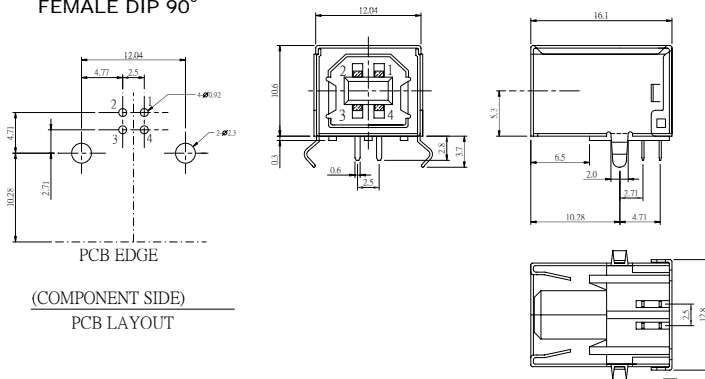
Bestell Code/Order Code: USB Buchse A - **1**

- 1** = A = abgewinkelt / right angle;
- B = hochkant / upright;
- C = gerade / straight

# USB B TYPE

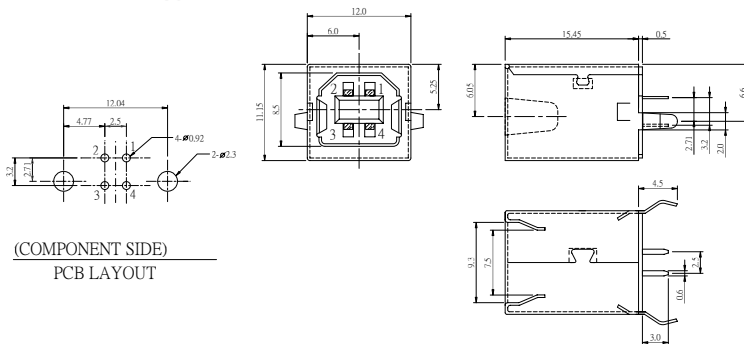


## FEMALE DIP 90°



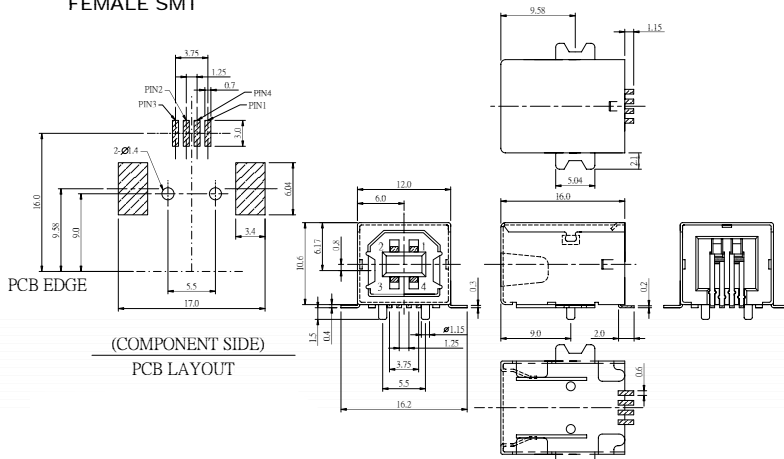
NO.	NAME	MATERIAL	FINISH	REMARK	QTY
1	BUSSING	P.B.T. G.F.	BLACK/WHITE		1
2	PIN TERM.	PHOS. BRONZE T0.25	GOLD/TIN PLATED	NI-CU-BR. 250/1.5	4
3	SHELL	BRASS T0.3	NICKEL PLATED	NI-3-3u	1

## FEMALE DIP 180°



NO.	NAME	MATERIAL	FINISH	REMARK	QTY
1	BUSSING	P.B.T. G.F.	BLACK/WHITE		1
2	PIN TERM.	PHOS. BRONZE T0.25	GOLD/TIN PLATED	NI-CU-BR. 250/1.5	4
3	SHELL	BRASS T0.3	TIN PLATED	TR-3-0u	1
4	BOTTOM COVER	P.B.T. G.F.	WHITE		1

## FEMALE SMT



NO.	NAME	MATERIAL	FINISH	REMARK	QTY
1	BUSSING	NYLON PA9T G.F.	WHITE		1
2	PIN TERM.	PHOS. BRONZE T0.25	GOLD/TIN PLATED	NI-CU-BR. 250/1.5	4
3	SHELL	BRASS T0.3	NICKEL PLATED	NI-3-3u	1

# ORDER INFORMATION

Bestell Code/Order Code: USB Buchse B - 1

1 = A = abgewinkelt / right angle;  
B = gerade / straight ;  
C = SMD