

DO NOT SCALE

DIMENSIONS IN mm

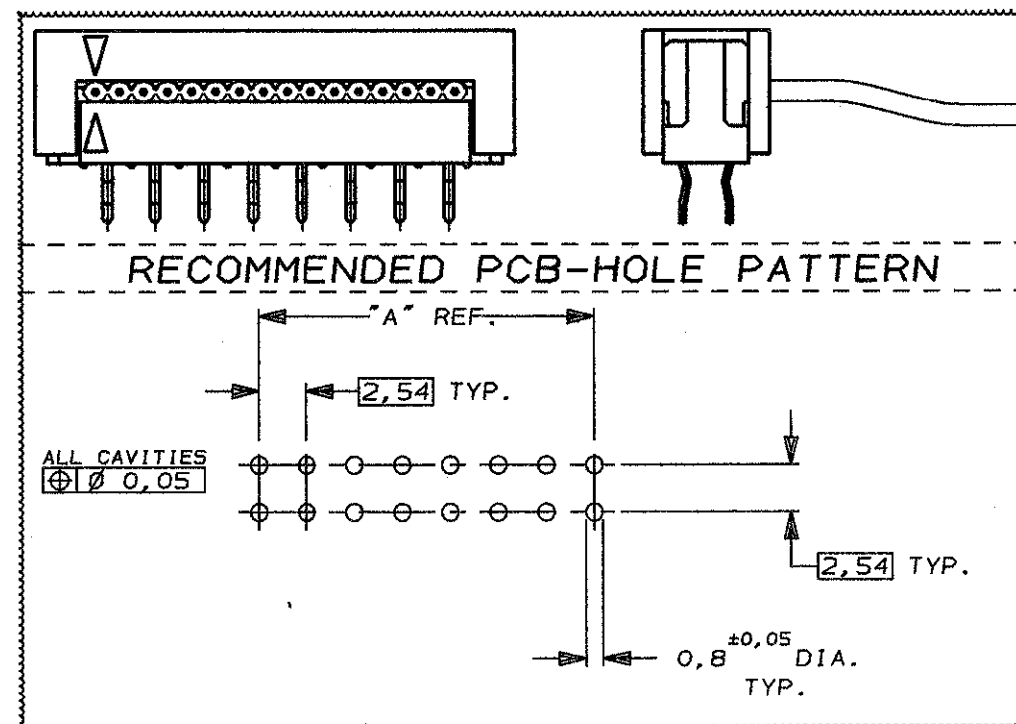
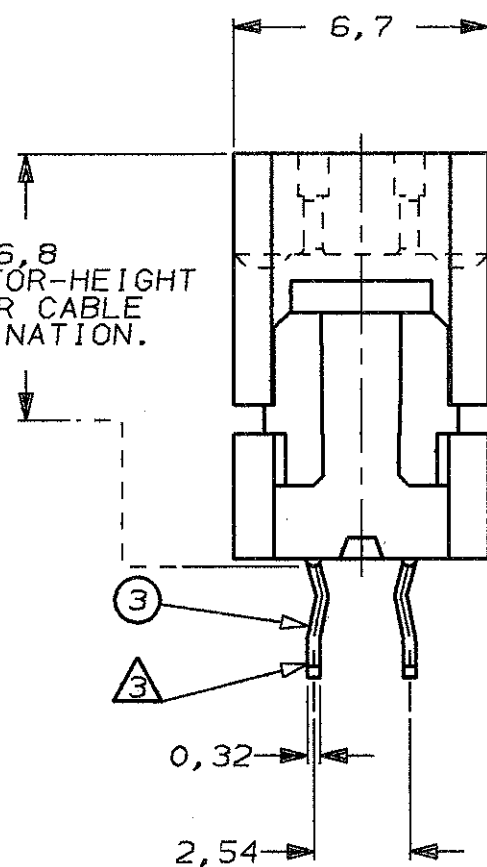
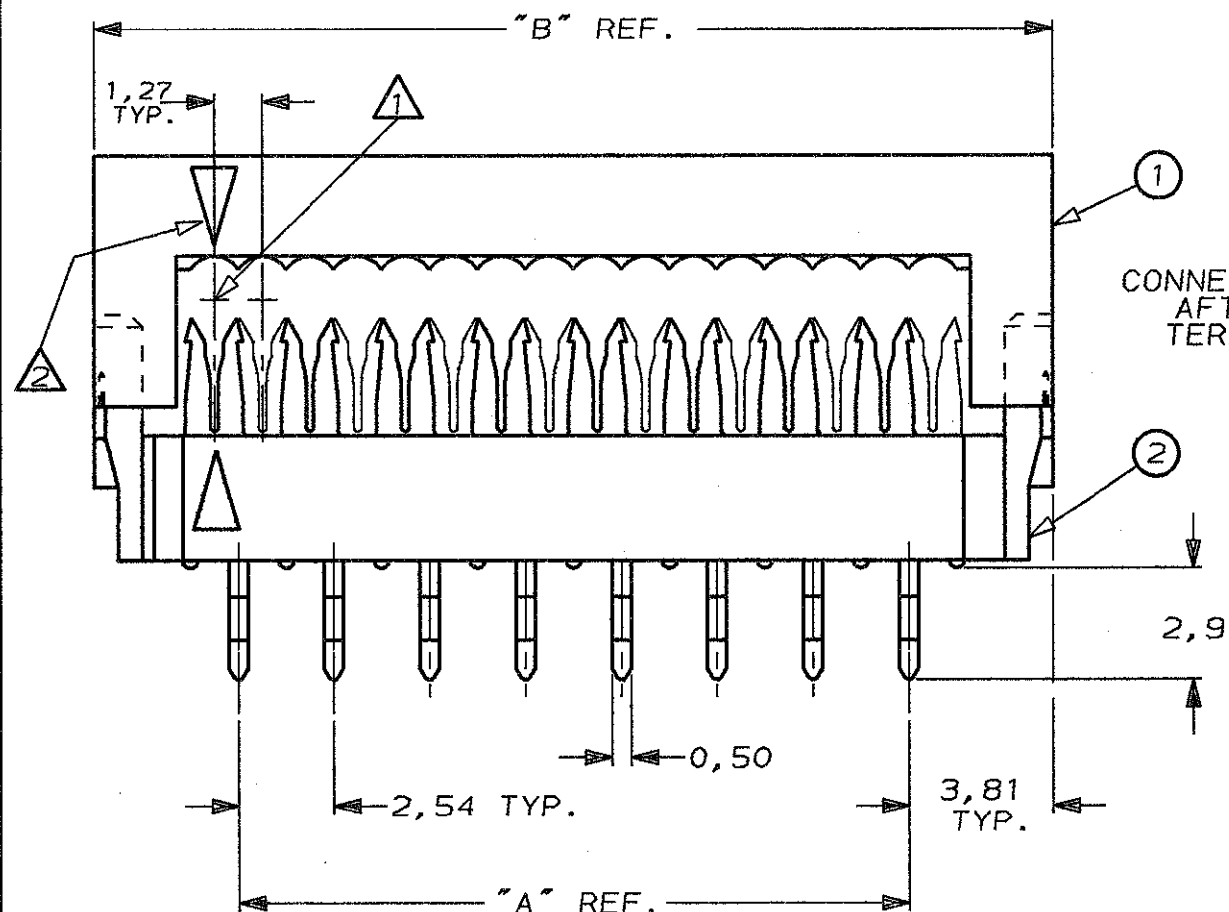
METRIC

THIRD ANGLE
PROJECTION



NOTES:

- ① CONNECTOR IS DESIGNED FOR FLAT RIBBON CABLE ON 1,27 CENTERS. FOR CABLE REQUIREMENTS SEE APPLICATION SPECIFICATION 114-19008.
- ② INDICATION OF FIRST CABLE POSITION REFERRING TO CORRESPONDING CONTACT POSITION.
- ③ SOLDER-TINES FOR 0,8^{+0,05} DIA. HOLES.



86,36	78,74	64	6-216791-4
81,28	73,66	60	6-216791-0
68,58	60,96	50	5-216791-0
60,96	53,34	44	4-216791-4
55,88	48,26	40	4-216791-0
48,26	40,64	34	3-216791-4
38,10	30,48	26	2-216791-6
30,48	22,86	20	2-216791-0
25,40	17,78	16	1-216791-6
22,86	15,24	14	1-216791-4
17,78	10,16	10	1-216791-0
12,70	5,08	6	216791-6

DIM. "B" REF.	DIM. "A" REF.	NR. OF POS.	PARTNUMBER
---------------	---------------	-------------	------------

③ CONTACTS	PHOSPHORBRONZE	2,5μ - 5,1μ TIN.
② HOUSING AND COVER	THERMOPLASTIC POLYESTER	GREY
① HOUSING		
COMPONENT NAME	MATERIAL	PLATING / COLOUR

B	H-9670	JvdH	R.V.	20-03-92
LTR.	REVISION RECORD	DR.	CHK.	DATE

CUSTOMER DRAWING FOR REFERENCE ONLY WILL NOT BE UPDATED
 © COPYRIGHT 19- BY AMP HOLLAND B.V.
 ALL INTERNATIONAL RIGHTS RESERVED. AMP PRODUCTS MAY BE COVERED BY U.S. AND FOREIGN AND/OR PATENTS PENDING.
 THIS DRAWING IS UNPUBLISHED
 RELEASED FOR PUBLICATION - , 19 -

AMP AMP HOLLAND B.V.
 's-Hertogenbosch,
 The Netherlands.
 NAME
 AMP-LATCH
 .100 DIL-PLUG CONNECTOR
 WITH RETENTION FEATURE.

DR. : R.HOGEVEEN.	CHK. : R.VERSTIJNEN.	APP. : L.V.SOEST.	DWG. No.	REV. LTR.	SHEET
DATE: 06-11-89	DATE: 09-11-89	DATE: 09-11-89	C-216791	B	1 OF 1