

MDIOxx

Mini DIN plug
Ass'y Type

date/contact: 170106/KEM
last update: -
drawing: 93779
scale: -
unit: mm
tolerance: -
page: 1/2

EVE GmbH
Hollefeldstr. 16
48282 Emsdetten
Tel.: +49 (0) 25 72 / 93 51 - 0
Fax: +49 (0) 25 72 / 93 51 - 24
www.eve.de • info@eve.de

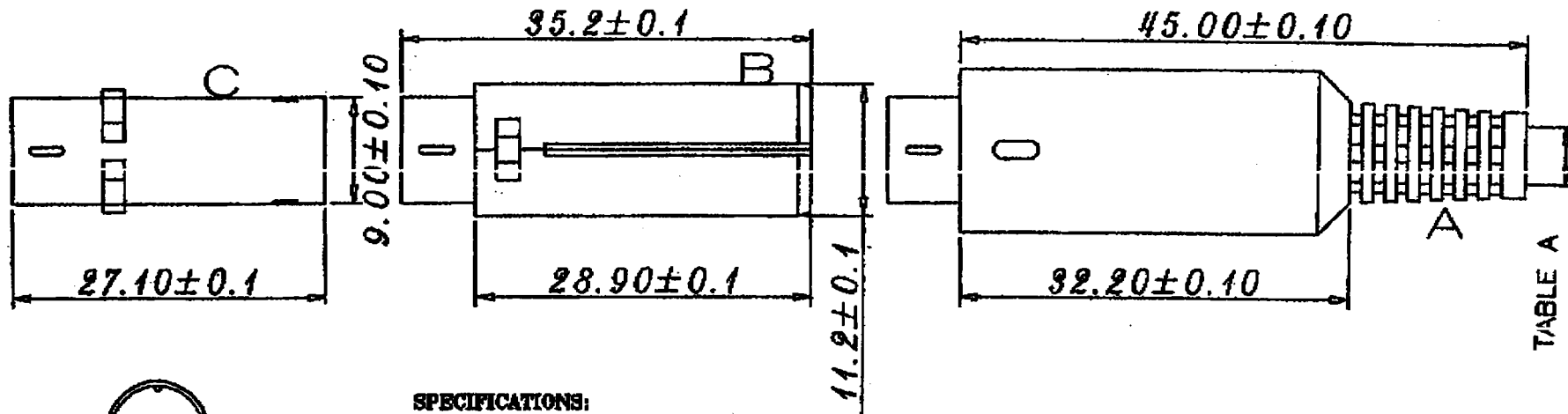
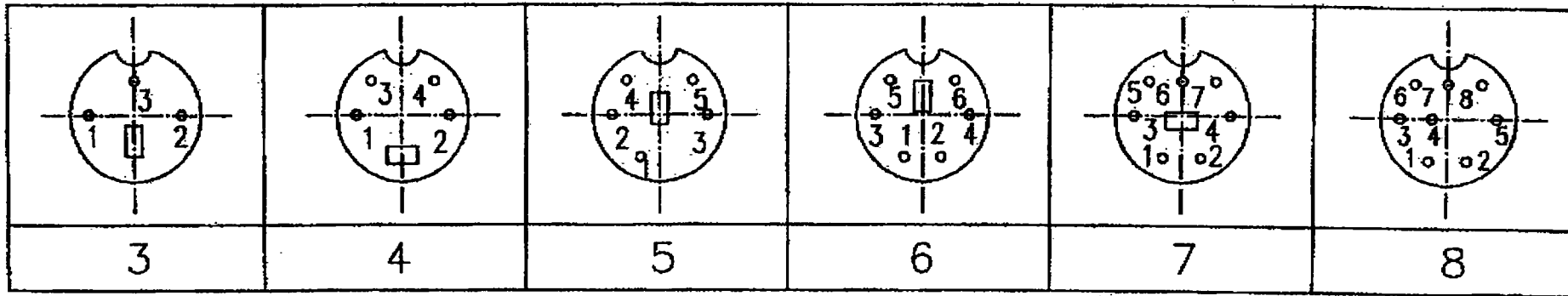
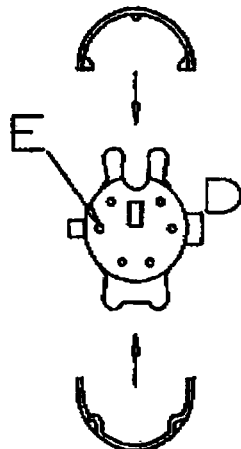


TABLE A

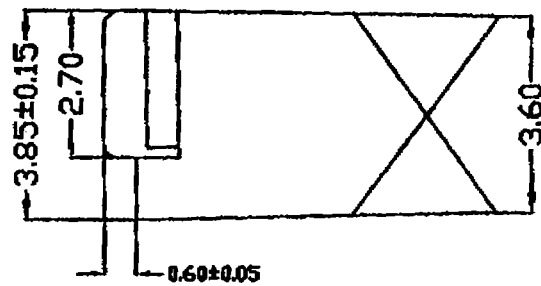
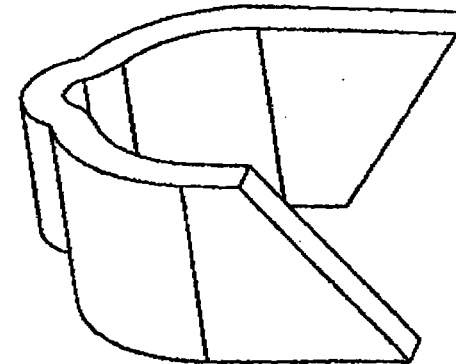
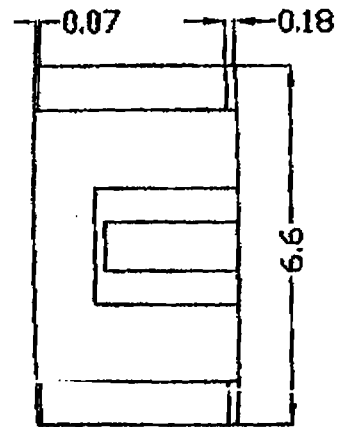
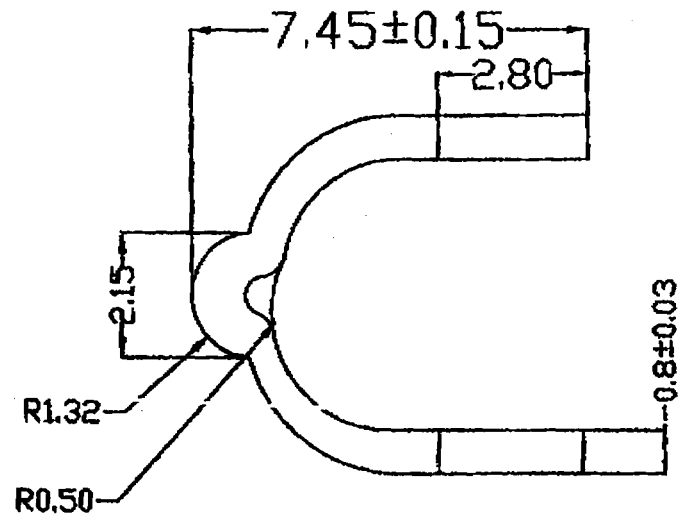


- SPECIFICATIONS:**
1. RATING: 11V AC 1A MAX
OR 12V DC 2A MAX.
 2. INSULATION RESISTANCE:
50M OHM MIN AT 500V DC.
 3. DIELECTRIC STRENGTH:
500V AC / 1 MINUTE.

	7.0# BACK SHELL
	8.0# BACK SHELL
X	5.0# BACK SHELL (STANDARD)
	COVER DIM.

TABLE A

MATERIAL:
A. COVER: PE+2L
B. SHELL: ABS
C. METAL SHIELD:
BRASS NICKEL PLATED
D. HOUSING: NYLON66+GF
E. CONTACT:
BRASS SILVER PLATED



NOTES

1.MATERIAL:Fe 0.8t

NICKEL PLATED