

D-SUB P.C.B. STRAIGHT TYPE

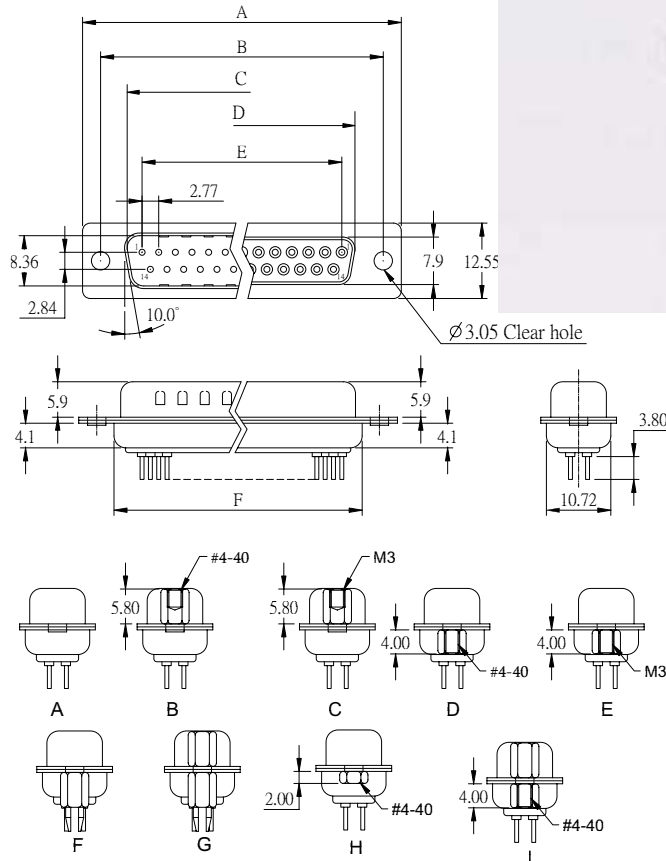


SPECIFICATION

Current Rate: 3 AMP
 Insulation Resistance: 1000M Ω Min
 Contact Resistance: 30m Ω Max
 Dielectric voltage: 500V AC for one minute
 Operation Temperature: -40°C to +105°C

MATERIAL

Insulator: PBT+30% Glass Fiber(UL94V-0)
 Contact Pin: F: Phosphor Bronze or Brass
 M: Brass



Dimensions

Positions	A	B	C	D	E	F
9	30.81	24.99	16.92	16.33	11.08	19.20
15	39.14	33.32	25.50	24.66	19.39	27.70
25	53.04	47.04	38.96	38.38	33.24	41.10
37	69.32	63.50	55.42	54.84	49.86	57.30

ORDER INFORMATION

Bestell Code/Order Code:

DST (Stecker / Male) - 1 - 2 - P
 DBU (Buchse / Female) - 1 - 2 - P

1 = Polzahl / No. of contacts (9,15,25,37)
2 = Isolierkörper weiß / Insulator white
 P = print gerade / P.C.B. straight