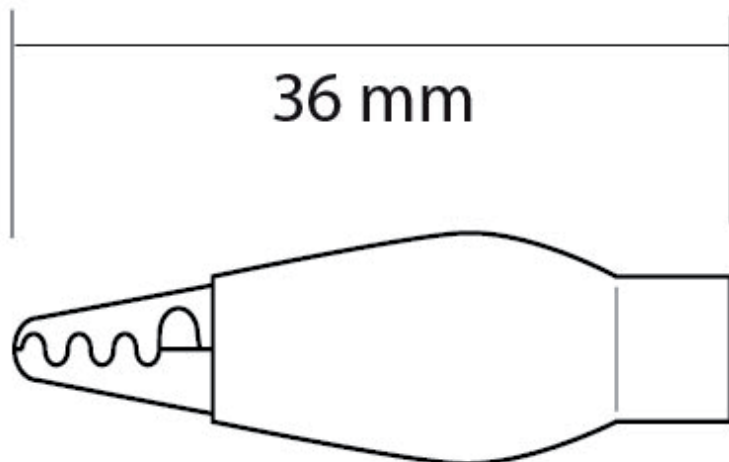


| | | | |
|---|---------|-------|----------|
| | REVISED | DRAWN | APPROVED |
| ① | | | |



Krokodilklemme, voll isoliert, klein
Alligator clip, fully insulated, small



S-Conn Handels GmbH
 Am Mühlberg 8
 91477 Markt Bibart
 Tel. 09162/98938 - 0
 Fax 09162/98938 - 20

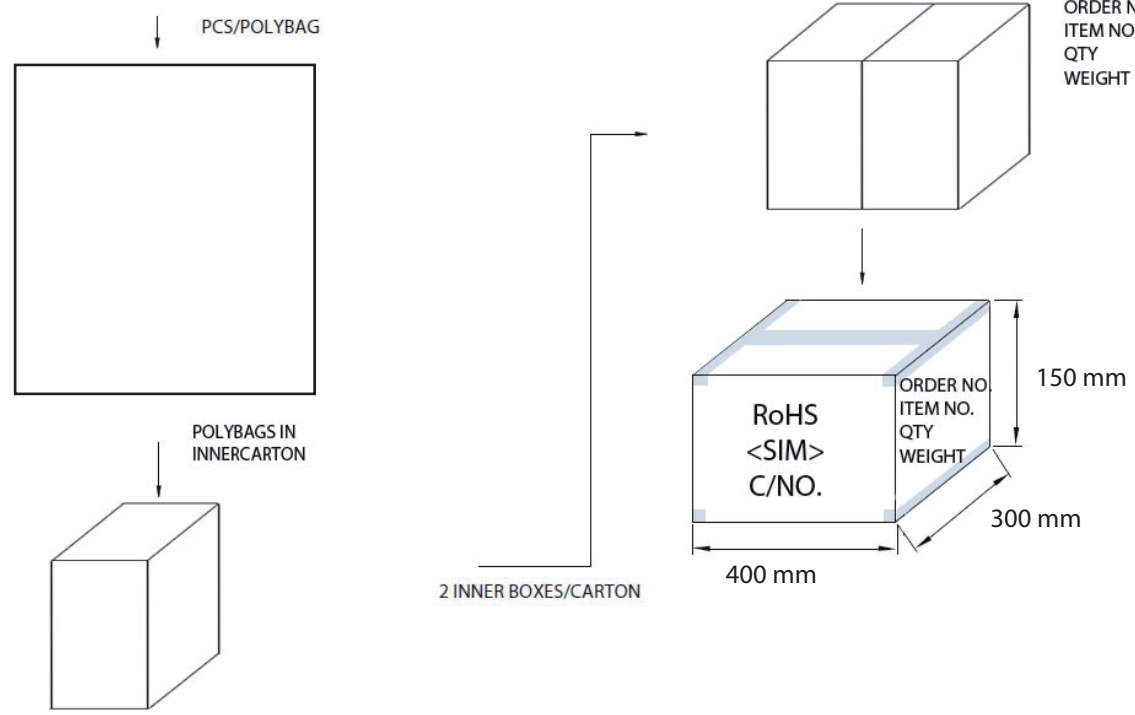
e-mail: info@s-conn.de
 web: www.s-conn.de

PART NO: **AP 56241**

DESCRIPTION: CROCO - CLIP

| | | | | | | | |
|-------|-----|----------|--|----------|------------------|---|------------------------------------|
| SIZE | A4 | DATE | | CHECKED | | ⊕ | TOLERANCES UNLESS OTHERWISE STATED |
| UNIT | MM | DRAWN | | APPROVED | | | |
| SCALE | NTS | C.MOTZEK | | | DATE: 15.09.2010 | | |

| | | | |
|---|---------|-------|----------|
| | REVISED | DRAWN | APPROVED |
| ① | | | |



NOTES:

Connectors must be inside Cable Rolling

Only use strong cartons with printed letters - handwritten NOT allowed !

| ART.NO. | | | PACKING |
|------------|---------|--|---|
| AP 56241-R | ROT | | 100 pcs in polybag than 500 pcs Innercarton / 1000 pcs Export |
| AP 56241-S | SCHWARZ | | 100 pcs in polybag than 500 pcs Innercarton / 1000 pcs Export |



PART NO: **AP 56241**

DESCRIPTION: CROCO - CLIP

| | | | | | | | |
|-------|-----|----------|--|----------|------------------|---|------------------------------------|
| SIZE | A4 | DATE | | CHECKED | | ⊕ | TOLERANCES UNLESS OTHERWISE STATED |
| UNIT | MM | DRAWN | | APPROVED | | | |
| SCALE | NTS | C.MOTZEK | | | DATE: 15.09.2010 | | |



S-Conn Handels GmBH
 Am Mühlberg 8
 91477 Markt Bibart
 Tel. 09162/98938 - 0
 Fax 09162/98938 - 20

e-mail: info@s-conn.de
 web: www.s-conn.de