

Kurzschluss Stecker Mini Jumper

KURZSCHLUSS STECKER OFFENE BAUWEISE, RM 2,54 MM
JUMPER OPEN VERSION, PITCH 2.54 MM



Revision: 00

SPECIFICATION

Current Rate: 3 AMP
 Insulation Resistance: 5000 MΩ Min.
 Contact Resistance: 20 mΩ Max.
 Dielectric Voltage: 100 V AC for one minute
 Operation Temperature: -40 °C to +105 °C

MATERIAL

Insulator: PBT UL94V-0
 Contacts: Brass

Finishes

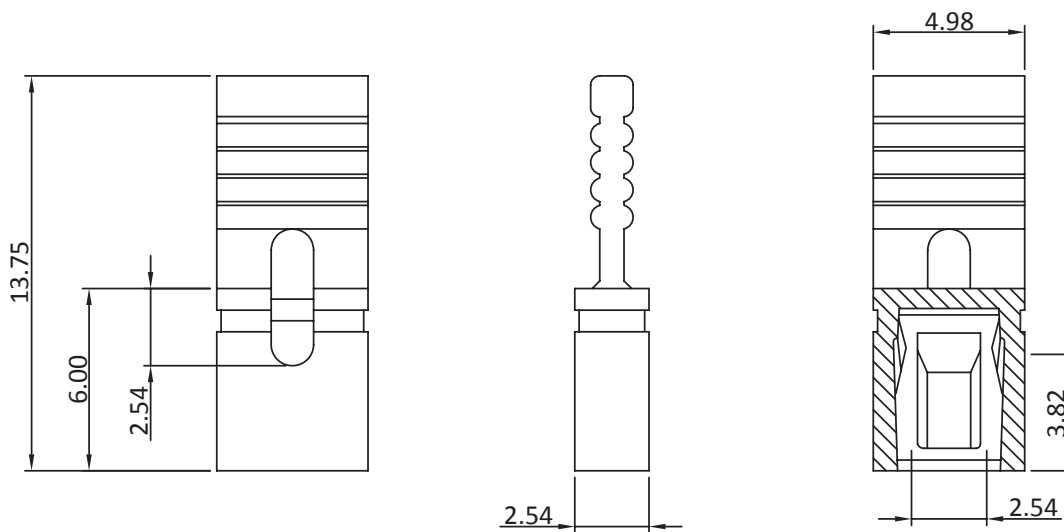
Contacts: Gold over nickel

HANDLING

Packing: Bag

TOLERANCE

.X ±0.35
 .XX ±0.25



Order Information

Series

SH

Insulator Colour

#

Version

#

Mini-Jumper 2.54mm

* = Standard

SW : black *

RT : red *

BL : blue

GN : green

GR : grey

WS : white

Z : with handle