

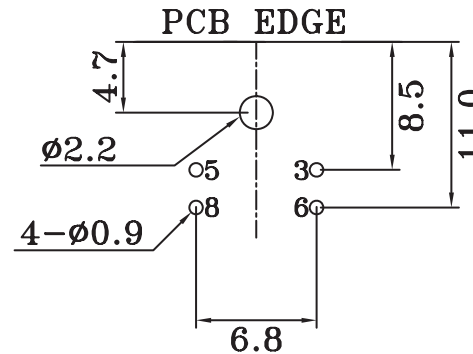
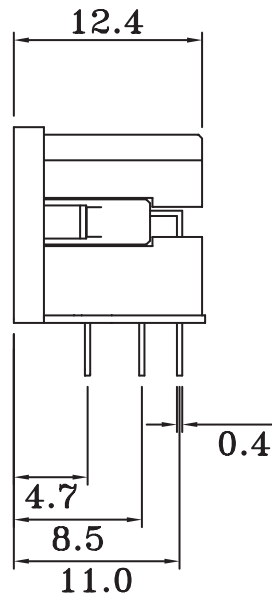
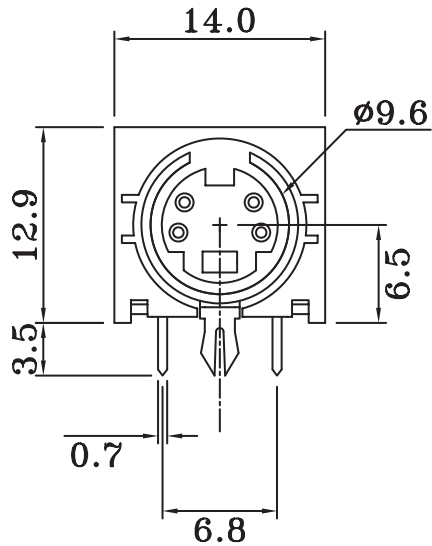
# MDIOB4

MINI DIN JACK WITHOUT SHIELD AND FORK GROUNDING

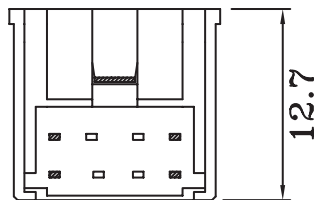
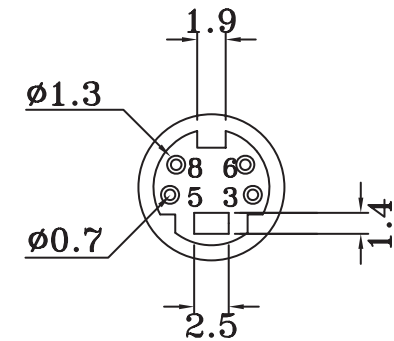
date/contact: 030107/KEM  
 last update: -  
 drawing: 90029  
 scale: -  
 unit: mm  
 tolerance: -  
 page: 1/1

EVE GmbH  
 Hollefeldstr. 16  
 48282 Emsdetten  
 Tel.: +49 (0) 25 72 / 93 51 - 0  
 Fax: +49 (0) 25 72 / 93 51 - 24  
 www.eve.de • info@eve.de

konform  
**RoHS**  
 compliant



PCB LAYOUT  
 (BOTTOM VIEW)



NO.	NAME	MATERIAL	FINISH	Q'TY	REMARK
1	HOUSING	P.B.T.	BLACK	1	
2	CONTACT	PHOS. BRONZE	GOLD-TIN PLATED	4	N1:1~5u ; TIN:3u GOLD:1~3u"
3	GROUND	BRASS	TIN PLATED	1	TIN:3~5u
4	BACK COVER	P.B.T.	BLACK	1	