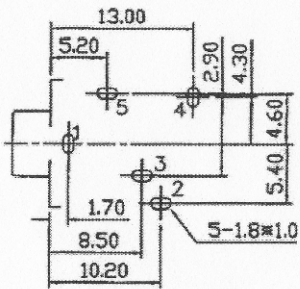
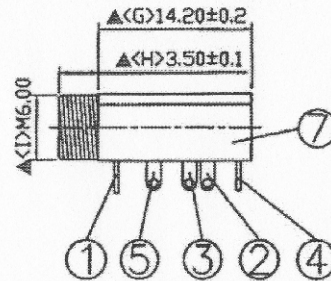
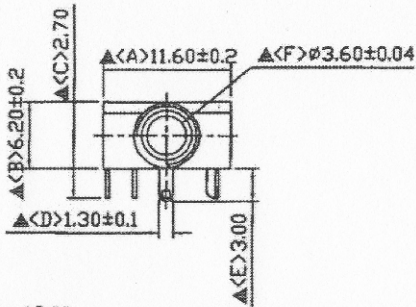
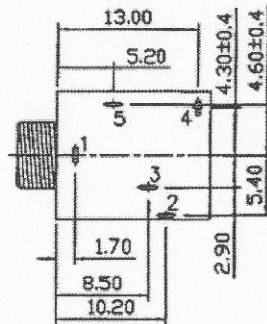


SPECIFICATIONS:
 Contact Resistance : 30mΩ max
 Insulation Resistance : 100MΩ min. at DC 500V
 Dielectric Withstand Voltage : AC 500V for one minute
 Remark: ▲: The Most Important Dimension



Pin Hole Layout
(Jack Bottom View)



NO	Description	Material	Q'TY	Finish
10	NUT	1.50T Brass	1	Nickel plated
9	Spring	SUS-304	1	
8	Cover	PC	1	Trans Parent
7	Housing	POM	1	Black Color
6	Barrel(W/Thread)	Brass	1	Nickel plated
5	Tip Spring	0.25T Phosphor Bronze	1	Silver Plated
4	Break Terminal	0.4T Brass	1	Silver Plated
3	Break Terminal	0.4T Brass	1	Silver Plated
2	Ring Spring	0.25T Phosphor Bronze	1	Silver Plated
1	Earth Terminal	0.4T Brass	1	Silver Plated

Datenblatt
1109005