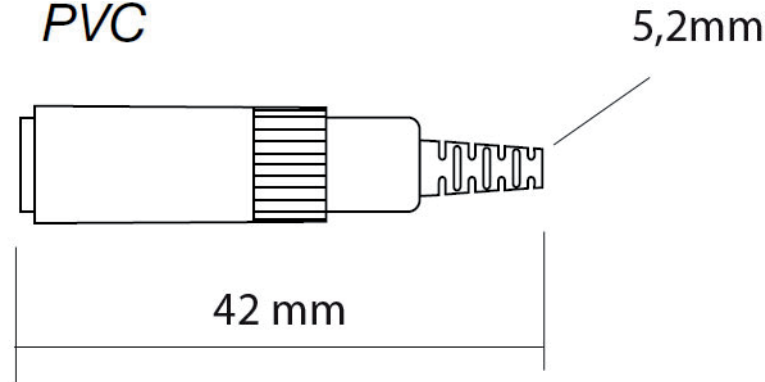


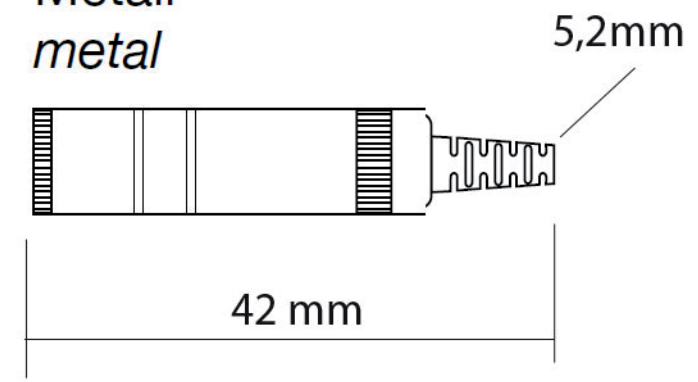
	REVISED	DRAWN	APPROVED
①			



Kunststoff  
PVC



Metall  
metal



Klinkenkupplung Stereo 3-pol. 3,5 mm  
3 pin stereo jack 3,5 mm



**S-Conn** Handels GmbH  
Am Mühlberg 8  
91477 Markt Bibart  
Tel. 09162/98938 - 0  
Fax 09162/98938 - 20

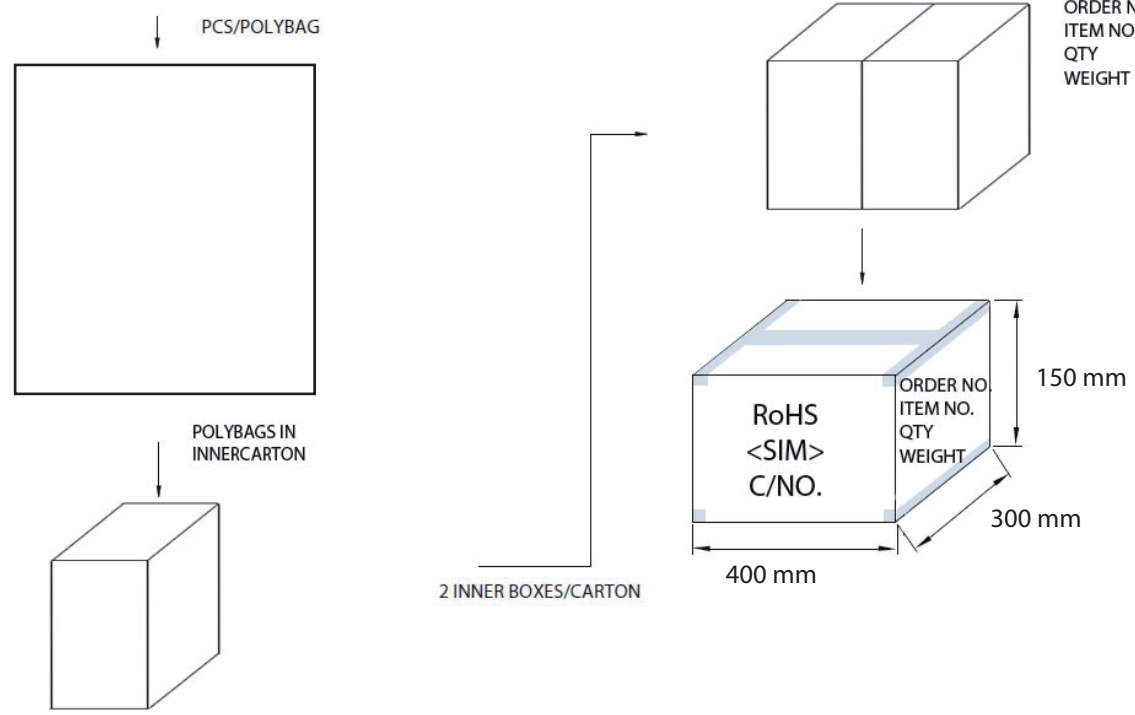
e-mail: [info@s-conn.de](mailto:info@s-conn.de)  
web: [www.s-conn.de](http://www.s-conn.de)

PART NO: **AP 51210**

DESCRIPTION: 3 PIN STEREO JACK

SIZE	A4	DATE		CHECKED		⊕	TOLERANCES UNLESS OTHERWISE STATED
UNIT	MM	DRAWN		APPROVED			
SCALE	NTS	C.MOTZEK			DATE: 15.09.2010		

	REVISED	DRAWN	APPROVED
①			



**NOTES:**

Connectors must be inside Cable Rolling

Only use strong cartons with printed letters - handwritten NOT allowed !

ART.NO.			PACKING
AP 51210	Kunststoff		100 pcs in polybag than 1000 pcs Innercarton / 2000 pcs Export
AP 51210-M	Metall		100 pcs in polybag than 1000 pcs Innercarton / 2000 pcs Export
AP 51210-MG	Metall Gold		100 pcs in polybag than 1000 pcs Innercarton / 2000 pcs Export



**S-Conn** Handels GmbH  
 Am Mühlberg 8  
 91477 Markt Bibart  
 Tel. 09162/98938 - 0  
 Fax 09162/98938 - 20

e-mail: [info@s-conn.de](mailto:info@s-conn.de)  
 web: [www.s-conn.de](http://www.s-conn.de)

PART NO: **AP 51210**

DESCRIPTION: 3 PIN STEREO JACK

SIZE	A4	DATE		CHECKED		⊕	TOLERANCES UNLESS OTHERWISE STATED
UNIT	MM	DRAWN		APPROVED			
SCALE	NTS	C.MOTZEK			DATE: 15.09.2010		